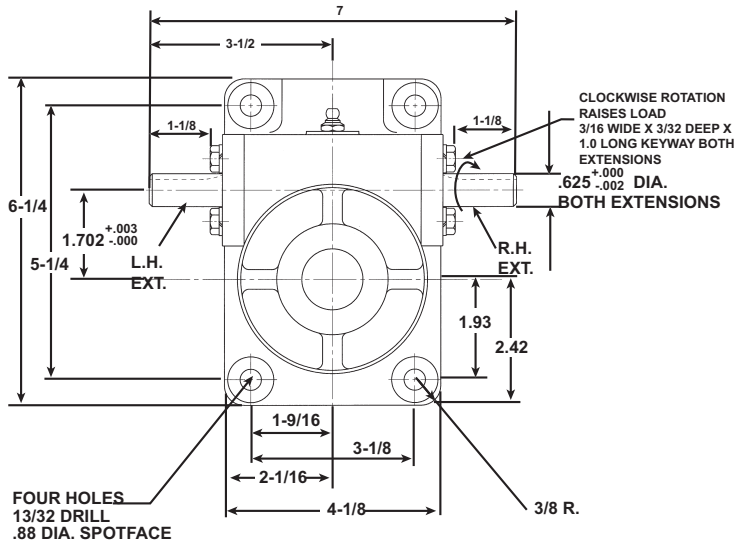
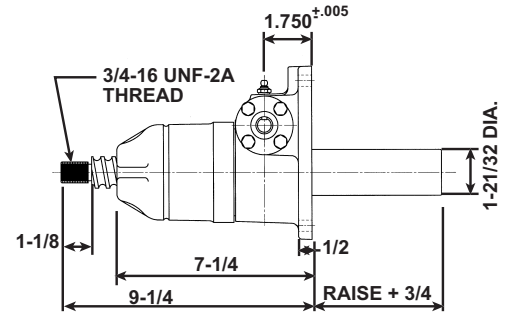


# Ball Screw Actuators

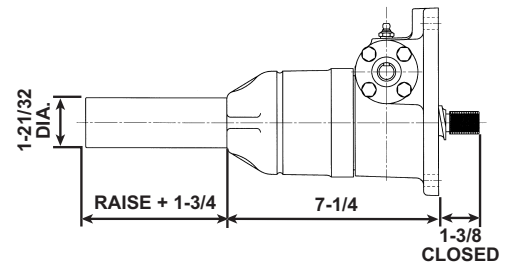
## 3 Ton Capacity 9800 Series



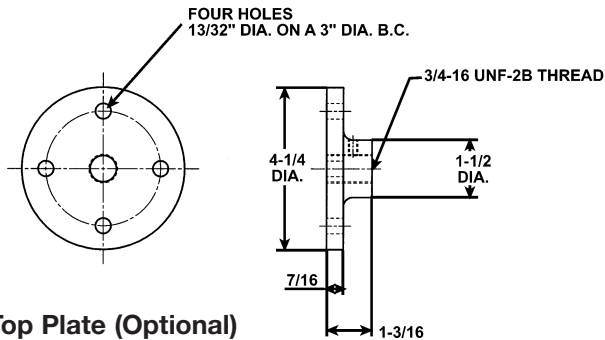
1-11/64" Diameter x .413 Lead Lifting Screw



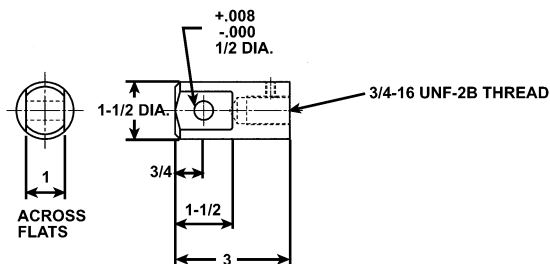
Upright: M-98003



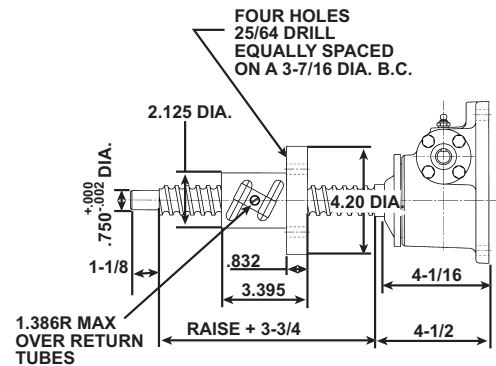
Inverted: M-98002



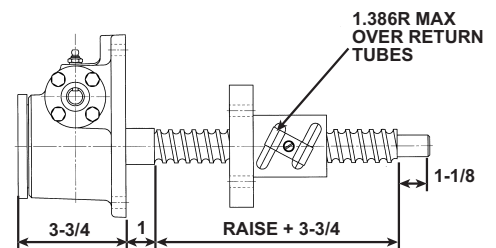
Top Plate (Optional)  
SK2800-1-2A



Clevis End (Optional)  
SK2800-4-2A



Upright Rotating: UM-98004

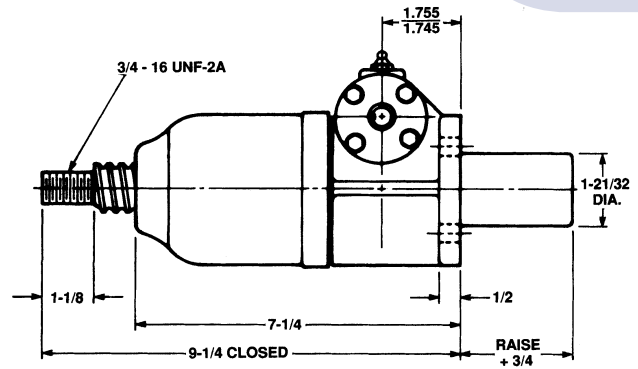
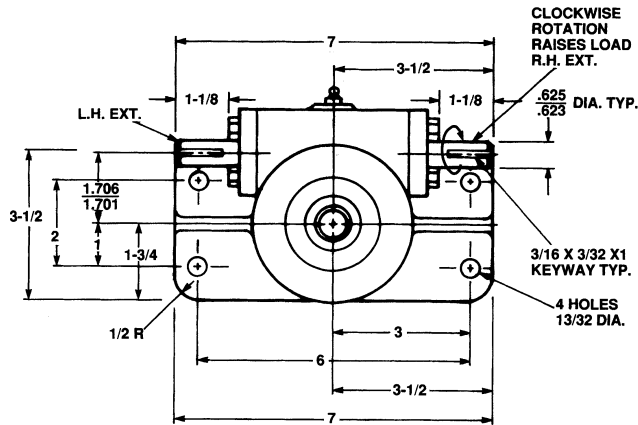


Inverted Rotating: DM-98004

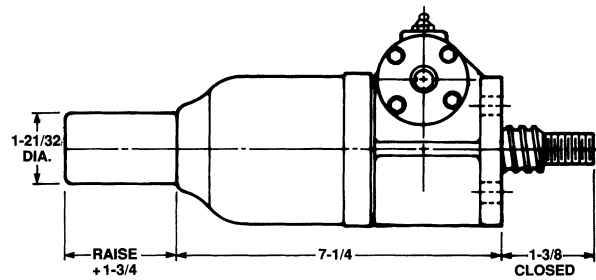
Note: Lifting screw is not keyed. Top should be secured to a lifting member to prevent rotation. When a Bellows Boot is required, see pages 143-144. Dimensions are subject to change without notice.

# 3 Ton Capacity 2800 Series

# Ball Screw Actuators

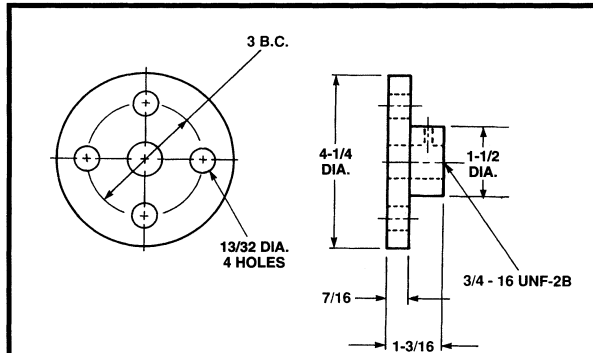


Upright: M-28003

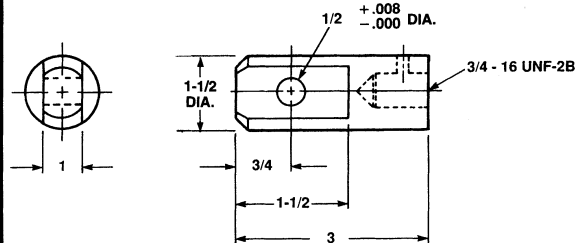


Inverted: M-28002

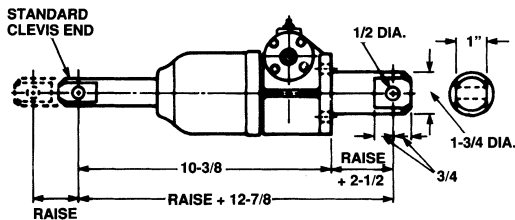
1 1/64" Diameter x .413 Lead Lifting Screws



Top Plate (Optional)  
SK2800-1-2A

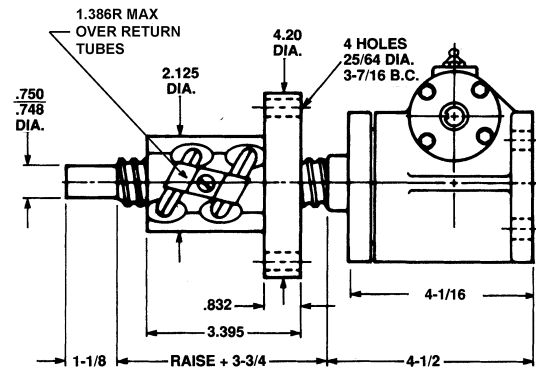


Clevis End (Optional)  
SK2800-4-2A

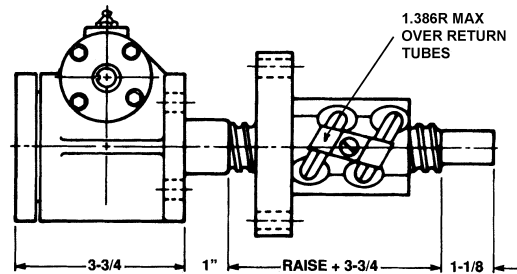


Double Clevis

Maximum Allowable Raise in Compression 15" — Rating 4200 Lbs.  
Maximum Raise at Rated Load in Compression 13".



Upright Rotating: KUM-28004



Inverted Rotating: KDM-28004

Note: Lifting screw is not keyed. Top should be secured to a lifting member to prevent rotation. When a Bellows Boot is required, see pages 143-144. Dimensions are subject to change without notice.