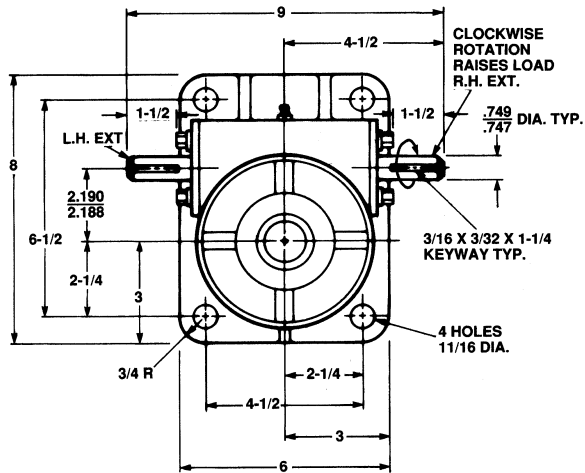
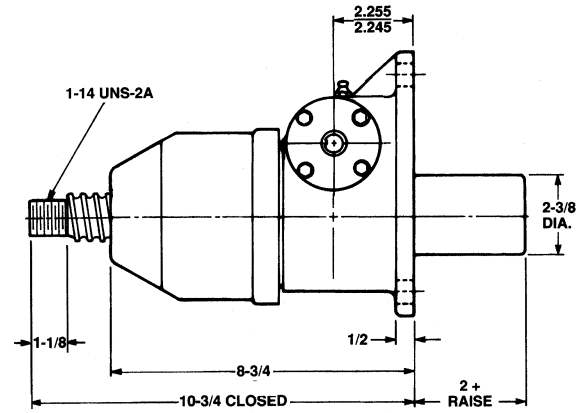
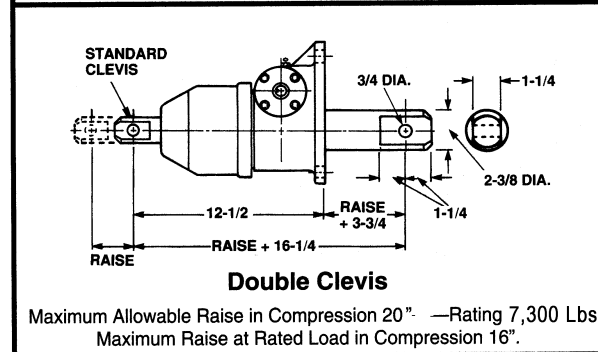
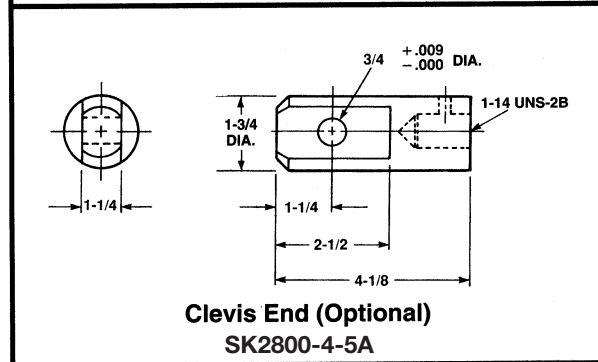
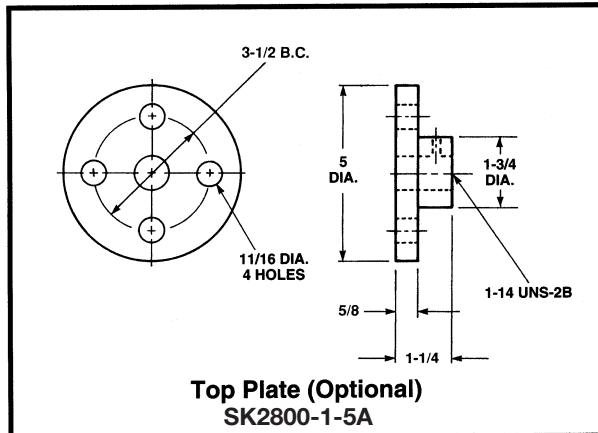


# Ball Screw Actuators

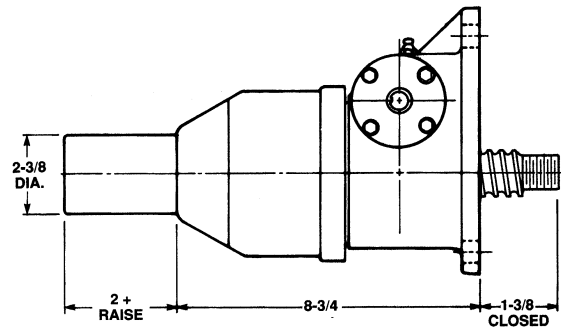
## 5 Ton - 1" Lead



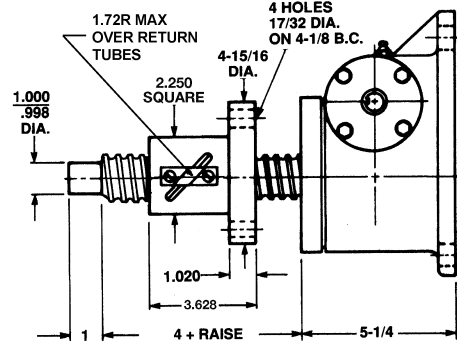
1 1/2" Diameter x 1.000 Lead Lifting Screws



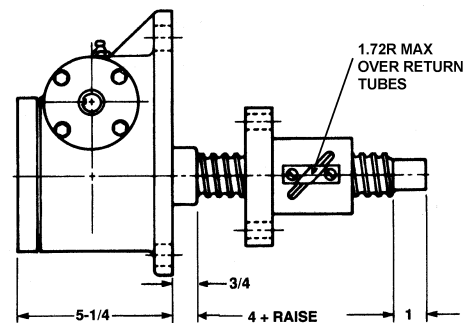
Upright: M-98051



Inverted: M-98041



Upright Rotating: UM-98061

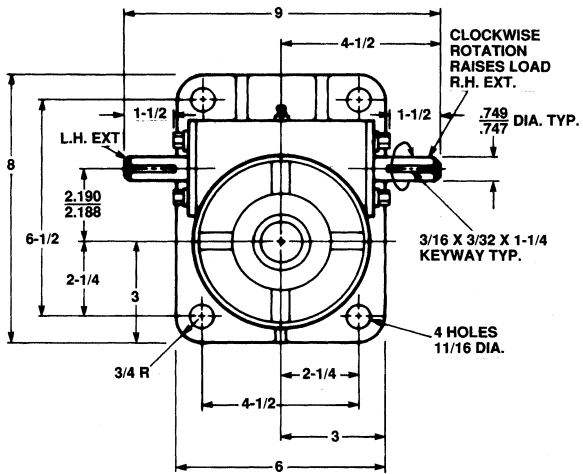


Inverted Rotating: DM-98061

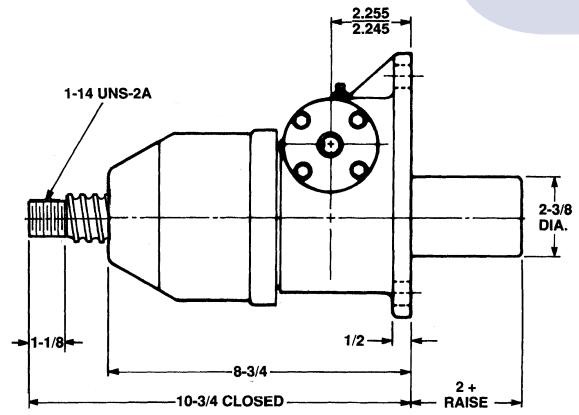
Note: Lifting screw is not keyed. Top should be secured to a lifting member to prevent rotation. When a Bellows Boot is required, see pages 143-144. Dimensions are subject to change without notice.

# 5 Ton Capacity

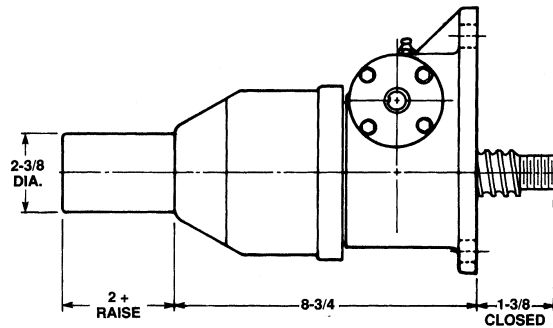
# Ball Screw Actuators



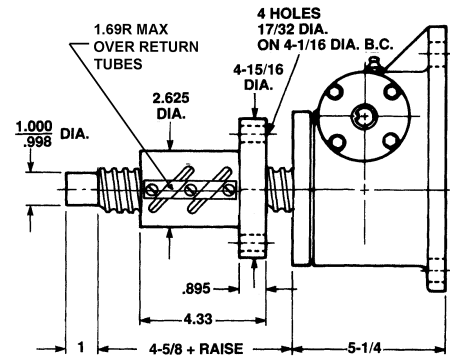
1 1/2" Diameter x .474 Lead Lifting Screws



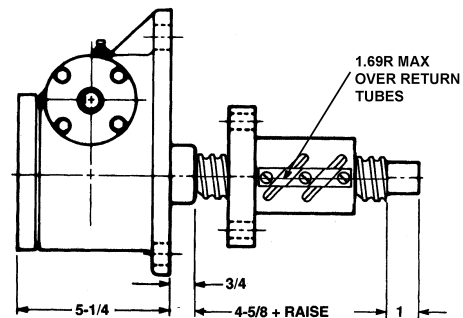
Upright: M-9805



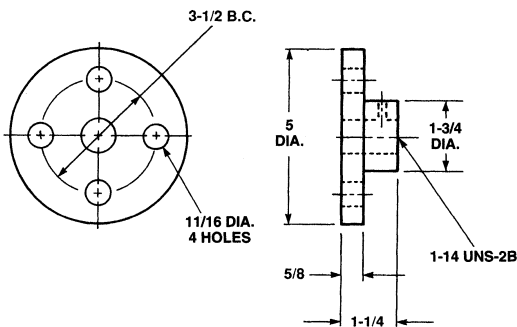
Inverted: M-9804



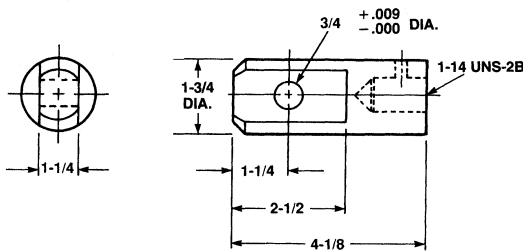
Upright Rotating: UM-9806



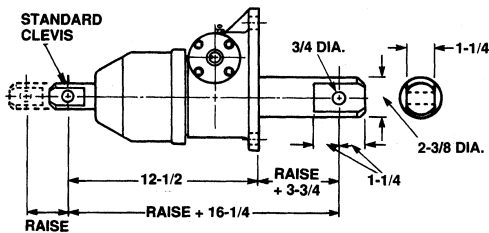
Inverted Rotating: DM-9806



Top Plate (Optional)  
SK2800-1-5A



Clevis End (Optional)  
SK2800-4-5A



Double Clevis

Maximum Allowable Raise in Compression 20" —Rating 7,300 Lbs.  
Maximum Raise at Rated Load in Compression 16".

Note: Lifting screw is not keyed. Top should be secured to a lifting member to prevent rotation. When a Bellows Boot is required, see pages 143-144. Dimensions are subject to change without notice.