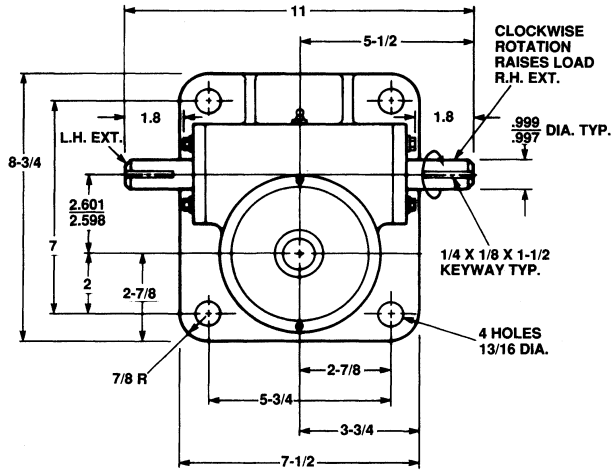
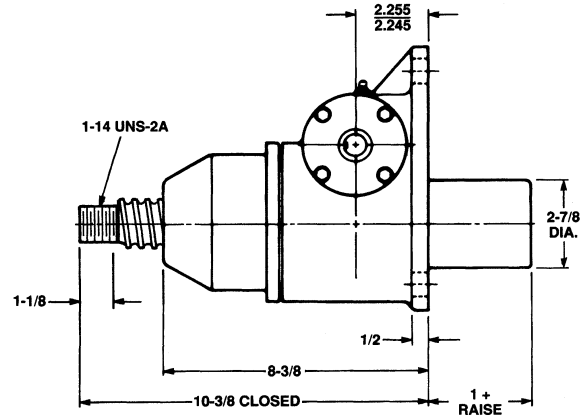
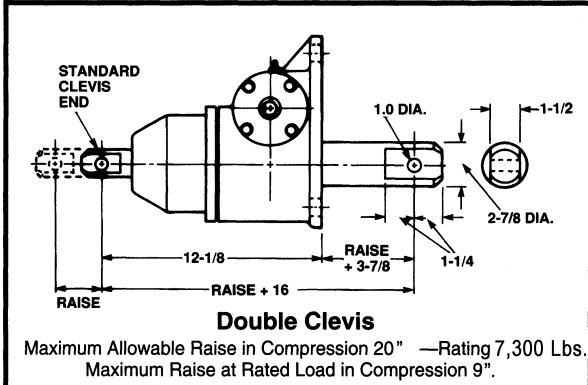
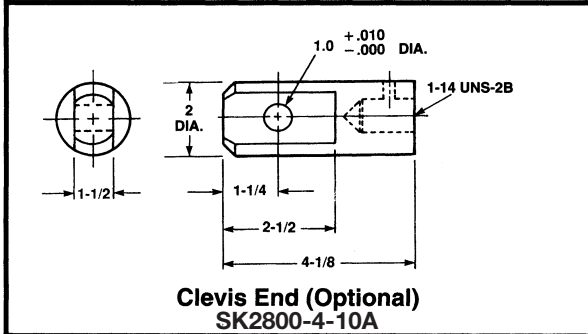
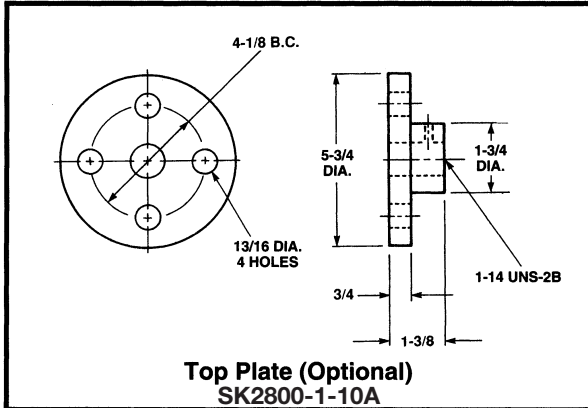


Ball Screw Actuators

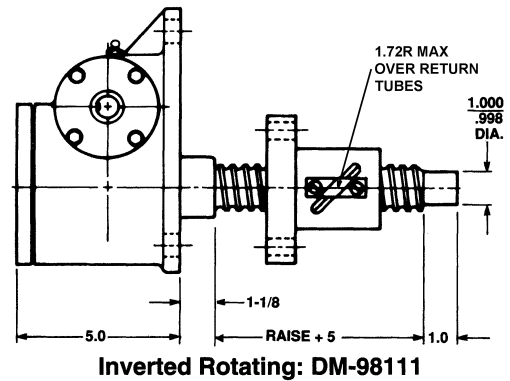
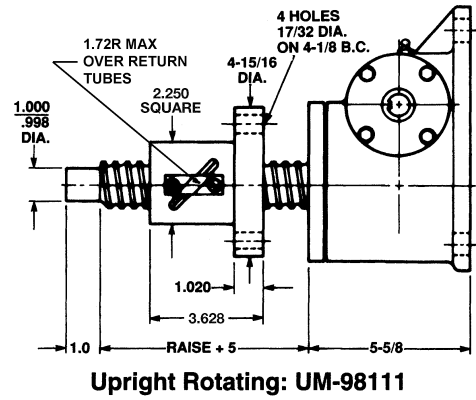
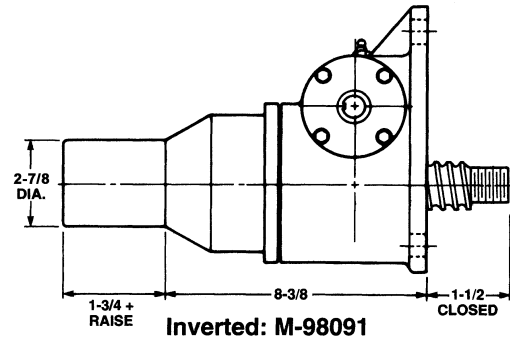
10 Ton - 1" Lead



1 1/2" Diameter x 1.000 Lead Lifting Screws



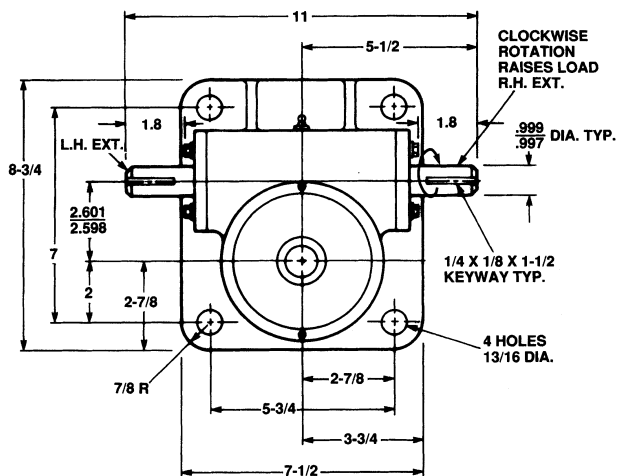
Upright: M-98101



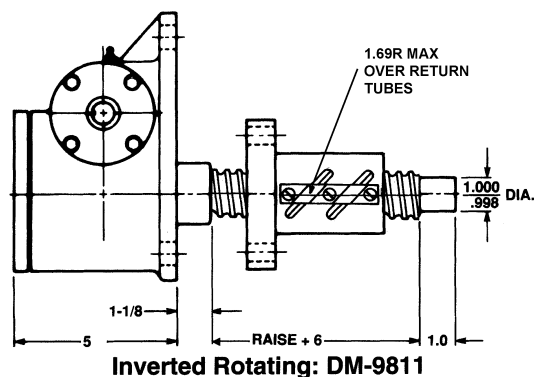
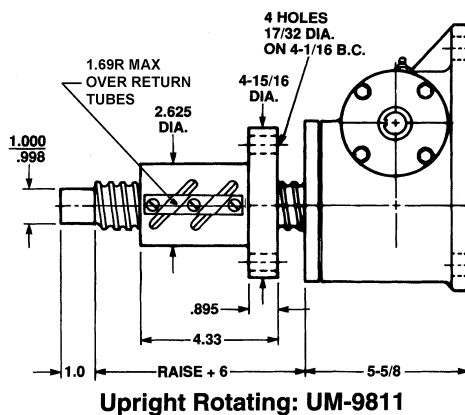
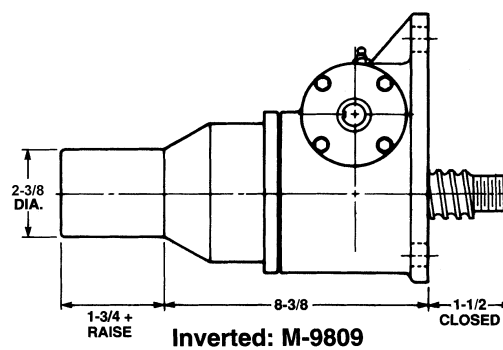
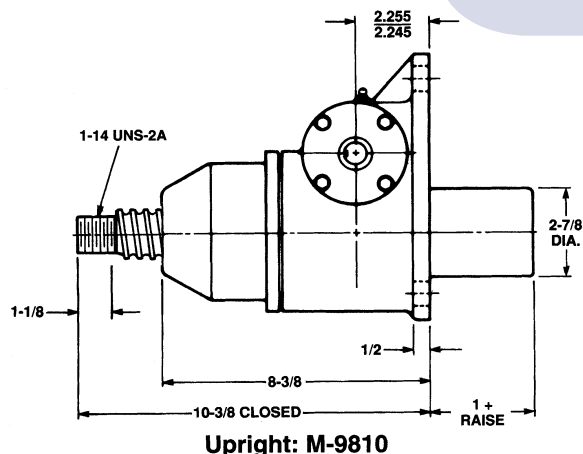
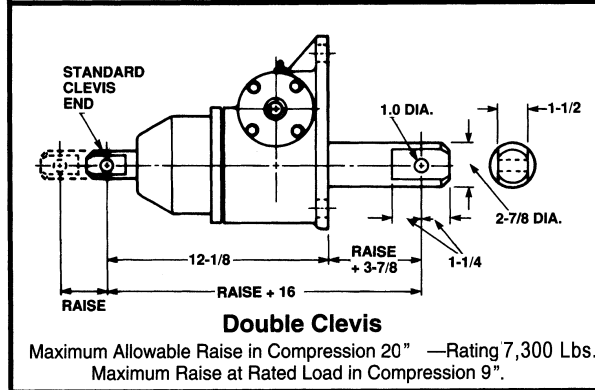
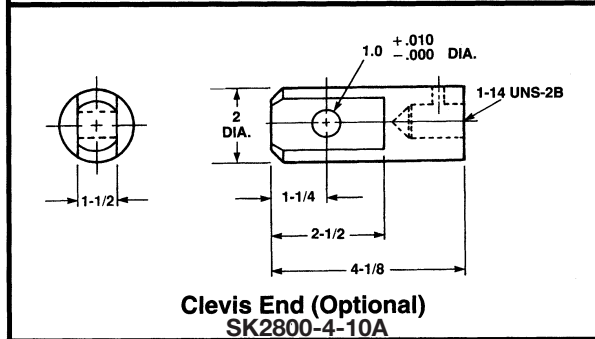
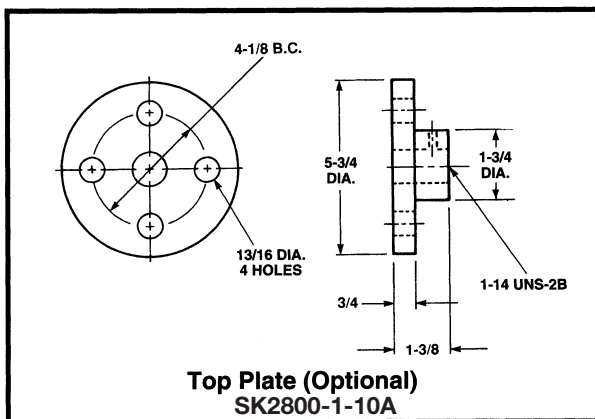
Note: Lifting screw is not keyed. Top should be secured to a lifting member to prevent rotation. When a Bellows Boot is required, see pages 143-144. Dimensions are subject to change without notice.

10 Ton Capacity

Ball Screw Actuators



1 1/2" Diameter x .474 Lead Lifting Screws



Note: Lifting screw is not keyed. Top should be secured to a lifting member to prevent rotation. When a Bellows Boot is required, see pages 143-144. Dimensions are subject to change without notice.