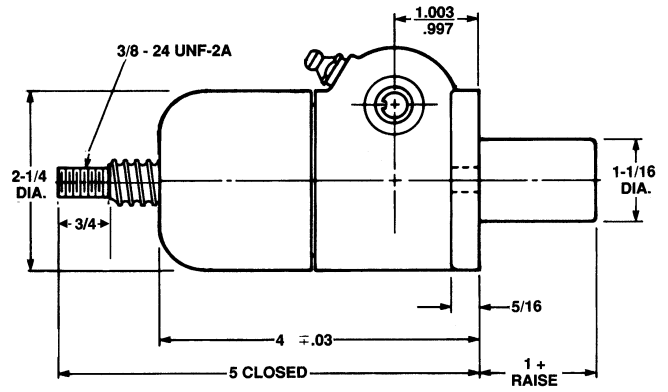
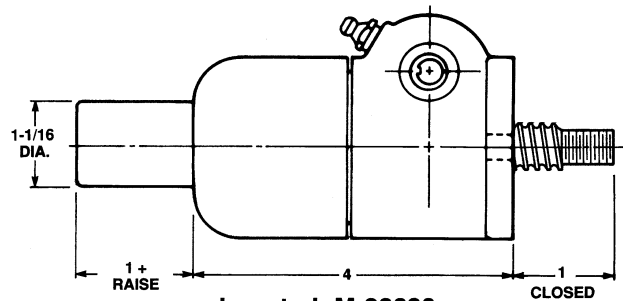


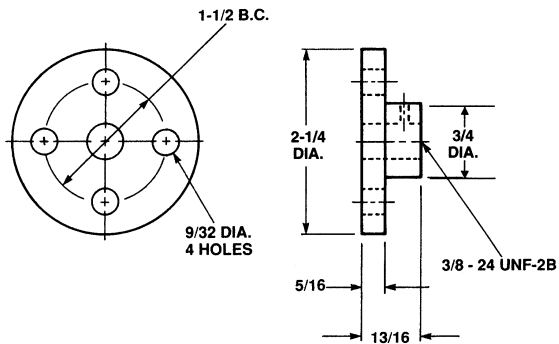
.631" Diameter x .200 Lead Lifting Screws



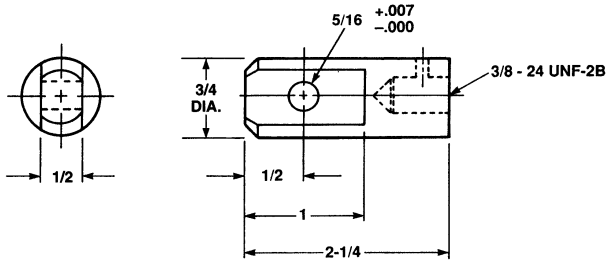
Upright: M-28631



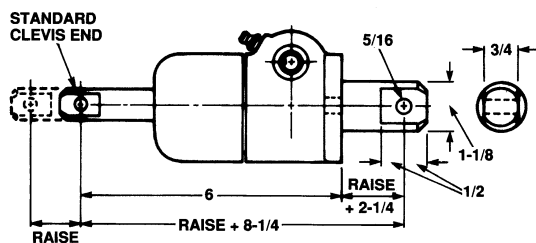
Inverted: M-28630



**Top Plate (Optional)
SK2800-1-29A**

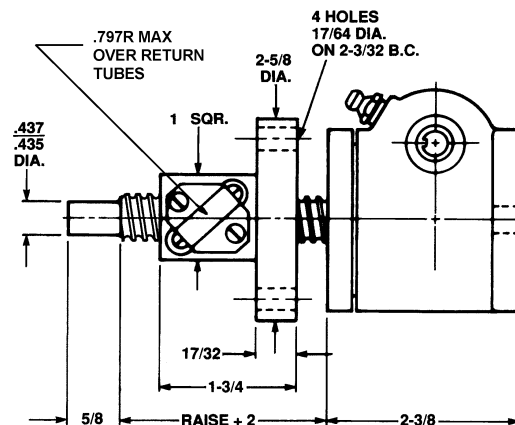


**Clevis End (Optional)
SK2800-4-29A**

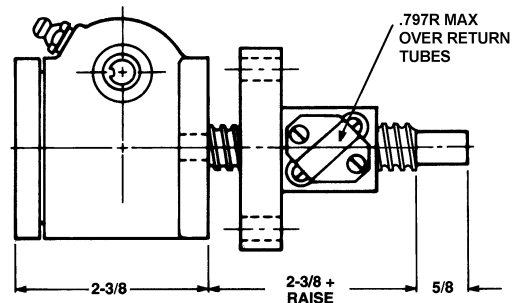


Double Clevis

Maximum Allowable Raise in Compression 8" —Rating 1000 Lbs.



Upright Rotating: UM-28632



Inverted Rotating: DM-28632

Note: Lifting screw is not keyed. Top should be secured to a lifting member to prevent rotation. When a Bellows Boot is required, see pages 143-144. Dimensions are subject to change without notice.