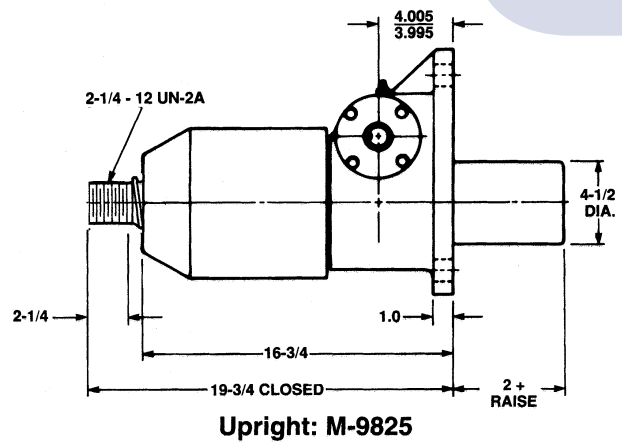
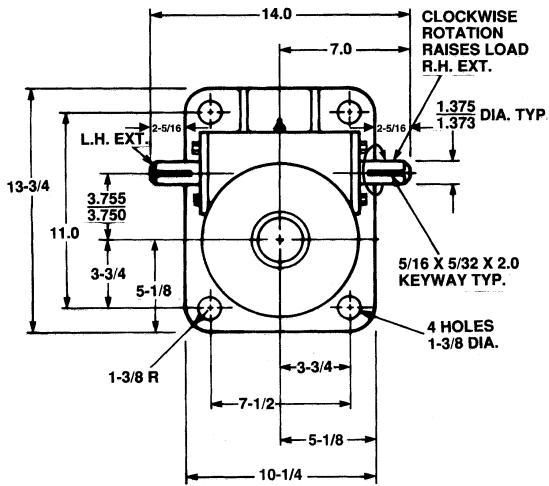
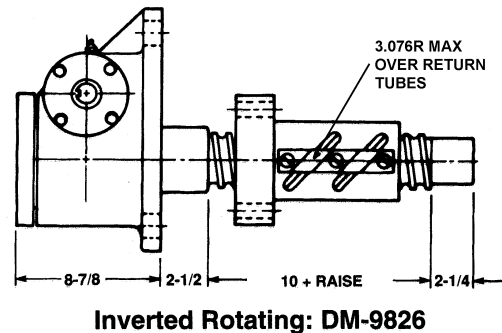
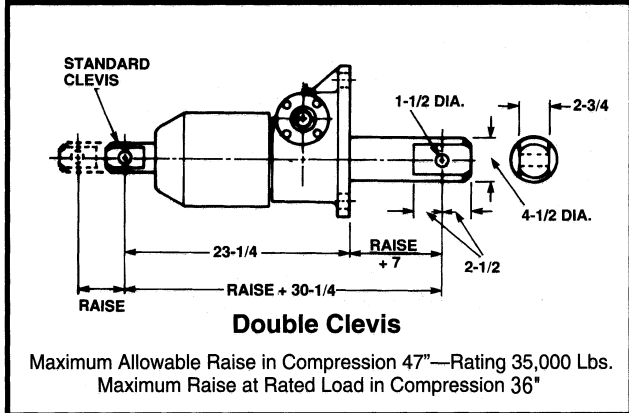
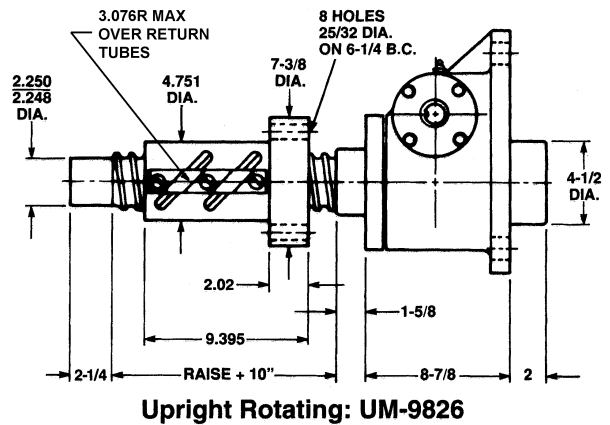
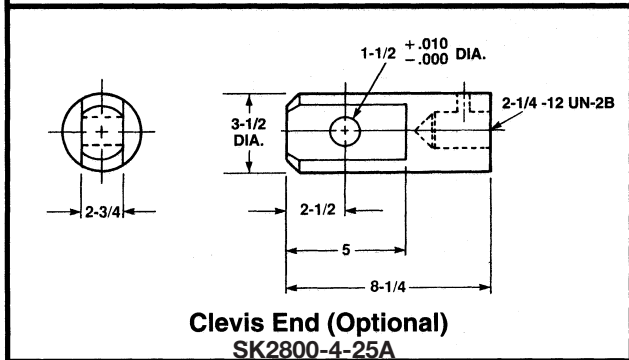
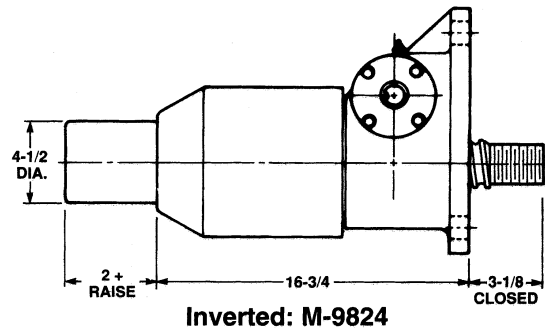
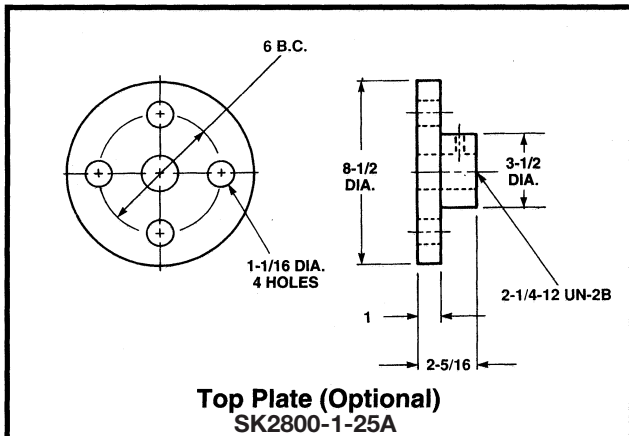


25 Ton Capacity

Ball Screw Actuators



3" Diameter x .660 Lead Lifting Screws



Note: Lifting screw is not keyed. Top should be secured to a lifting member to prevent rotation. When a Bellows Boot is required, see pages 143-144. Dimensions are subject to change without notice.