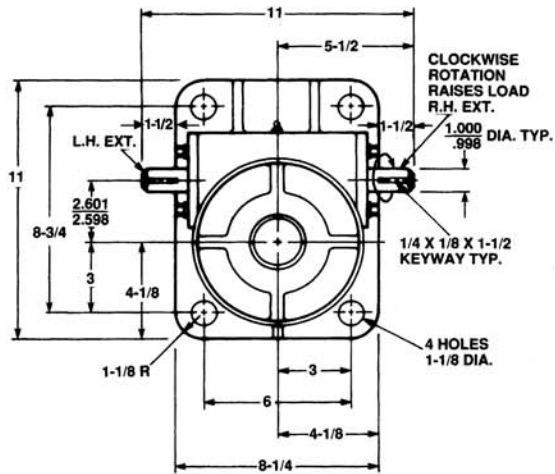


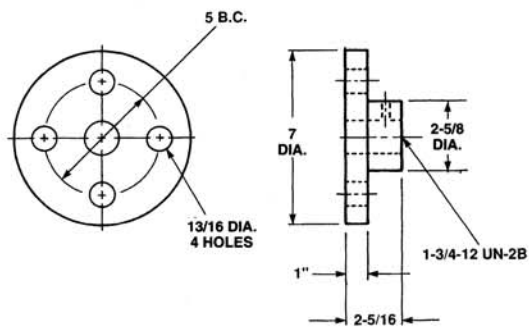
Ball Screw Actuators

20 Ton Capacity Standard and 1" Lead

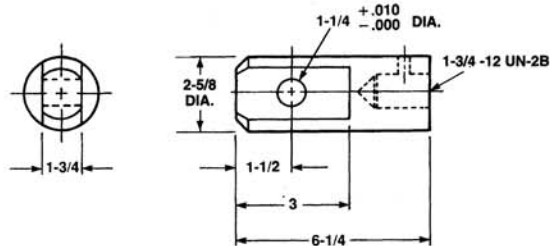
NEW



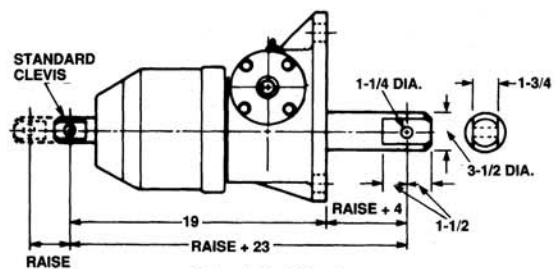
2 1/4" Diameter x .500 Lead Lifting Screws
2 1/4" Diameter x 1.00 Lead Lifting Screws



Top Plate (Optional)
SK2800-1-20A

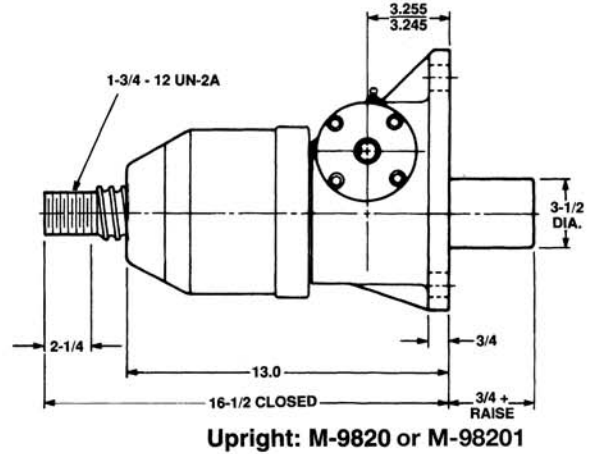


Clevis End (Optional)
SK2800-4-20A

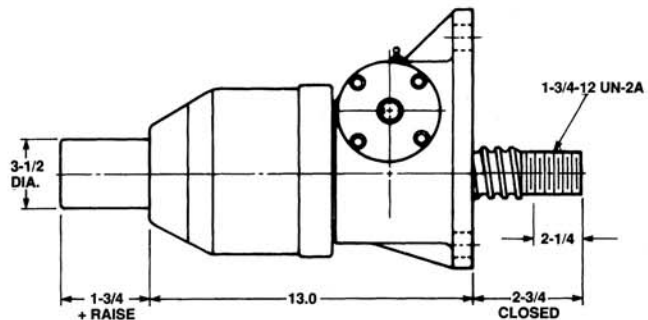


Double Clevis

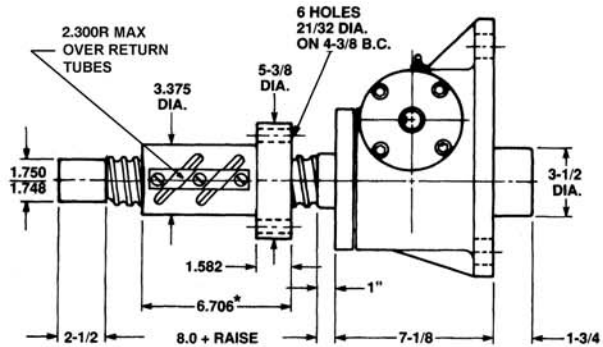
Maximum Allowable Raise in Compression 35" - Rating 19,000 Lbs.
Maximum Raise at Rated Load in Compression 30".



Upright: M-9820 or M-98201

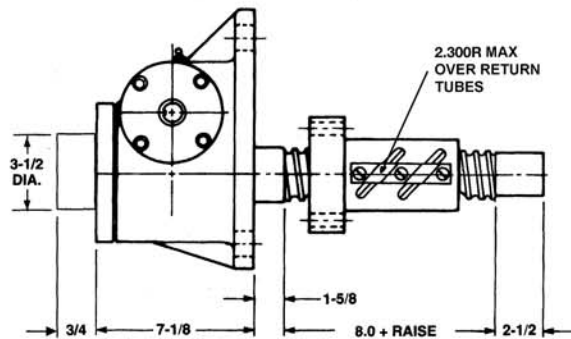


Inverted: M-9819 or M-98191



Upright Rotating: AUM-9821 or AUM-98211

*1" Lead Ball nut O.A. Length 6.379



Inverted Rotating: ADM-9821 or ADM-98211

Note: Lifting screw is not keyed. Top should be secured to a lifting member to prevent rotation. When a Bellows Boot is required, see pages 143-144. Dimensions are subject to change without notice.