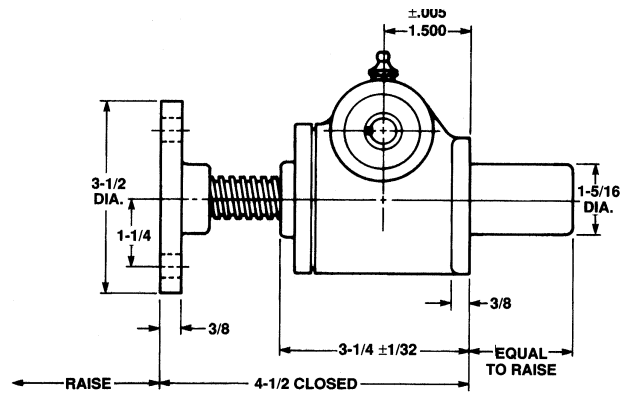
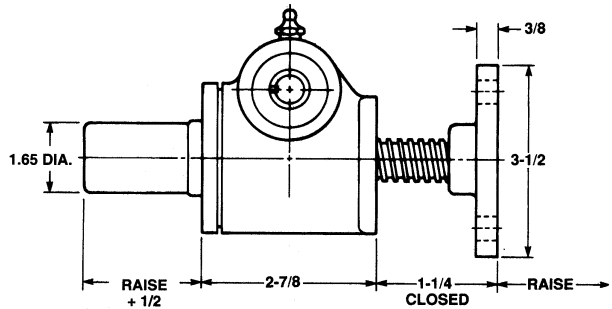


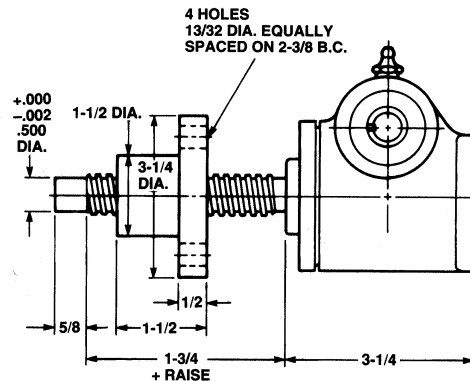
3/4" Diameter x .200 Lead Lifting Screws



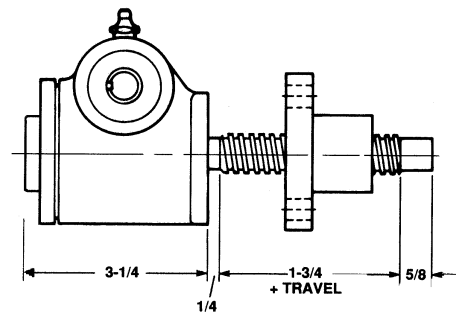
Upright: M-2501



Inverted: M-2500



Upright Rotating: UM-2502



Inverted Rotating: DM-2502

<p><b>Threaded End</b></p> <p><b>Upright</b>: 1/2 - 13 UNC-2A, 3/4 DIA., 1/8, 3/4, 5-3/8 CLOSED HEIGHT.</p> <p><b>Inverted</b>: 1/2 - 13 UNC-2A, 3/4 DIA., 1/8, 3/4, 2 CLOSED HEIGHT.</p>	
<p><b>Clevis End</b></p> <p><b>Upright</b>: 21/64 DIA., 3/4 DIA., 3/8, 1/2, 5 CLOSED HEIGHT.</p> <p><b>Inverted</b>: 21/64 DIA., 3/4 DIA., 1/2, 1-5/8 CLOSED HEIGHT, 3/8. Typical: 1/2 ACROSS FLATS.</p>	
<p><b>Double Clevis: CCM-2501</b></p> <p>STANDARD CLEVIS, 21/64 DIA., 1/2, 5 ±.031, RAISE + 1-1/2, 1-5/16, RAISE + 6-1/2.</p> <p>Maximum Allowable Raise in Compression 10" —Rating 1500 Lbs. Maximum Raise at Rated Load in Compression 8"</p>	

Note: Lifting screw is not keyed. Top should be secured to a lifting member to prevent rotation. When a Bellows Boot is required, see pages 143-144. Dimensions are subject to change without notice.