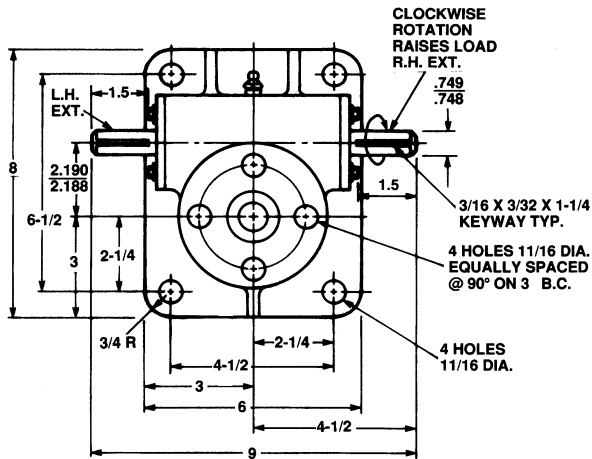
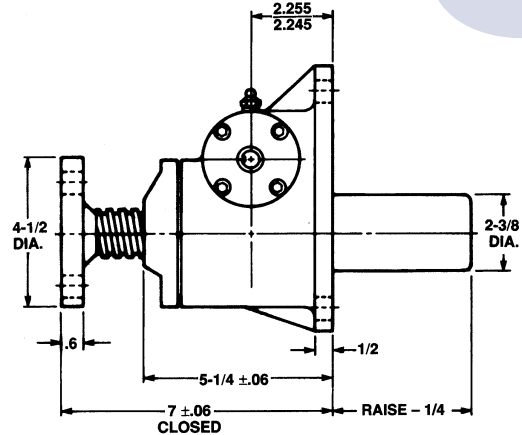


5 Ton Capacity

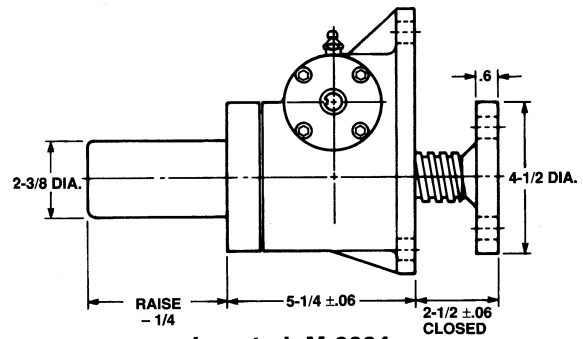
Machine Screw Actuators



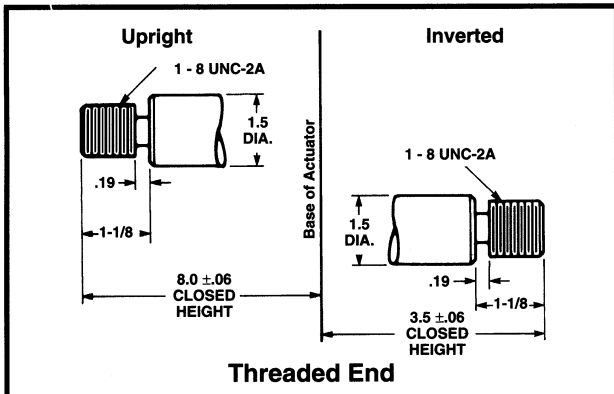
1 1/2" Diameter x .375 Lead Lifting Screws



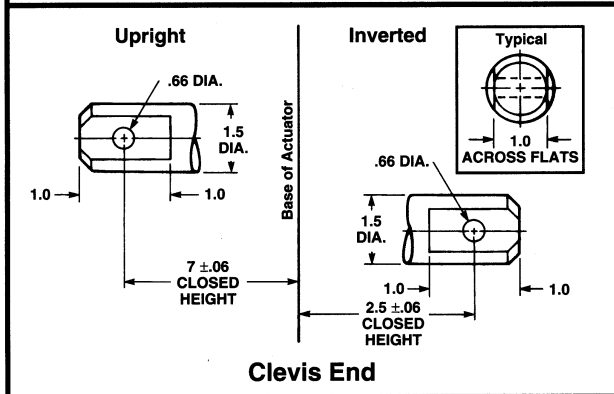
Upright: M-9005



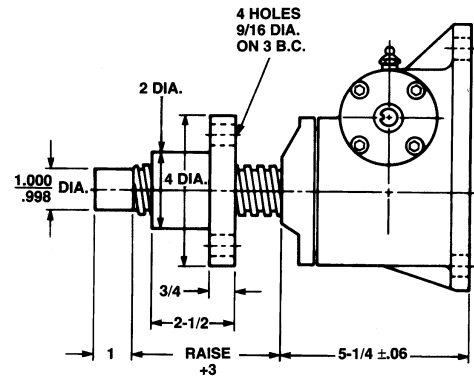
Inverted: M-9004



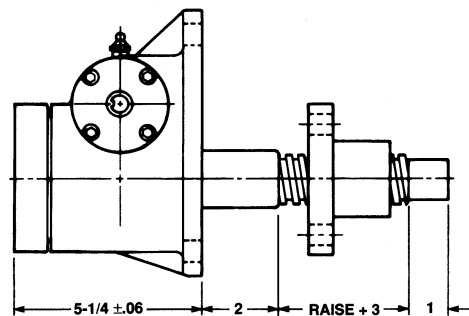
Threaded End



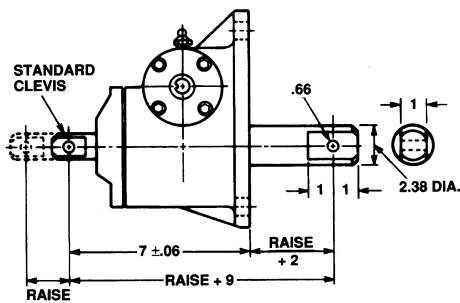
Clevis End



Upright Rotating: UM-9006



Inverted Rotating: DM-9006



Double Clevis: CCM-9005

Maximum Allowable Raise in Compression 22" —Rating 6500 Lbs.
Maximum Raise at Rated Load in Compression 17"

Note: Lifting screw is not keyed. Top should be secured to a lifting member to prevent rotation. When a Bellows Boot is required, see pages 143-144. Dimensions are subject to change without notice.