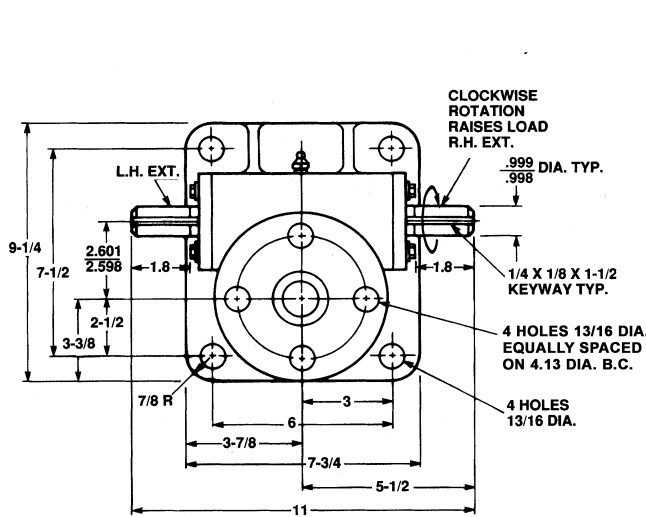
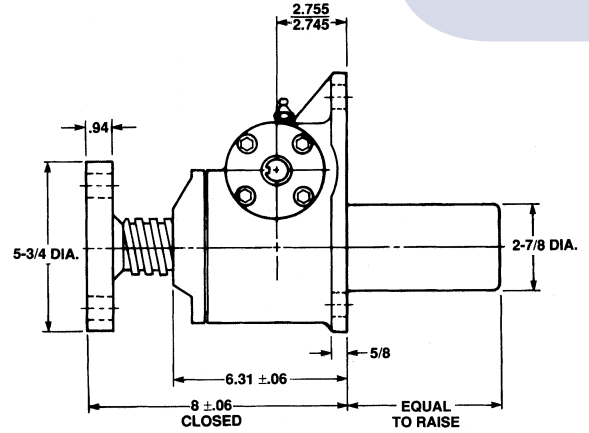


15 Ton Capacity

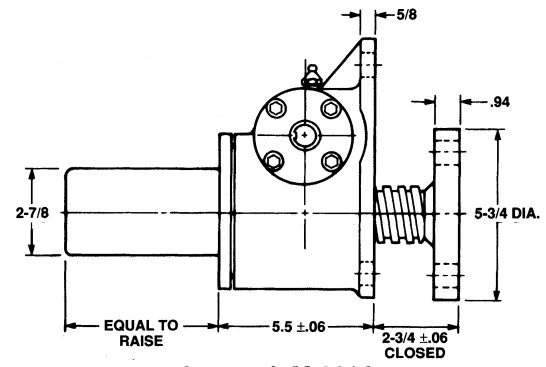
Machine Screw Actuators



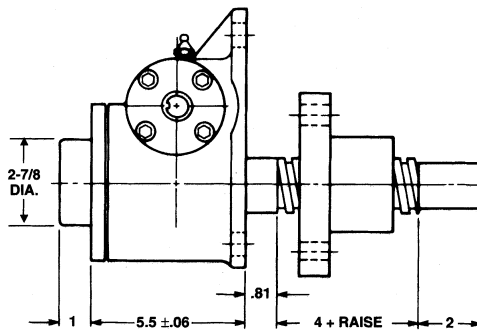
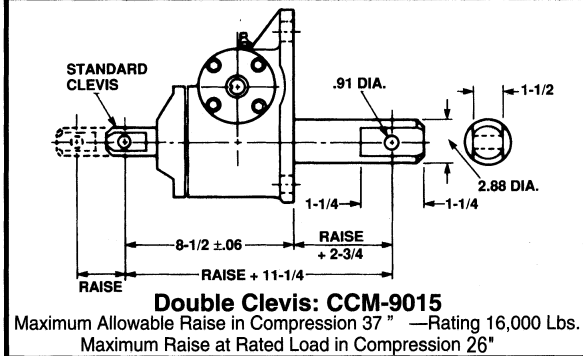
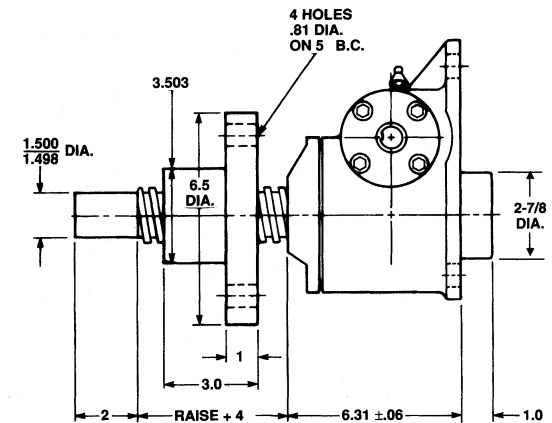
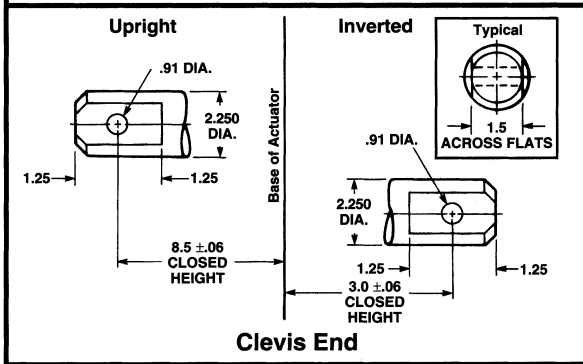
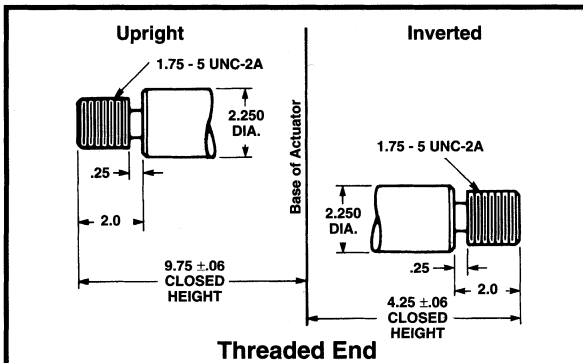
2 1/4" Diameter x .500 Lead Lifting Screws



Upright: M-9015



Inverted: M-9014



Note: Lifting screw is not keyed. Top should be secured to a lifting member to prevent rotation. When a Bellows Boot is required, see pages 143-144. Dimensions are subject to change without notice.