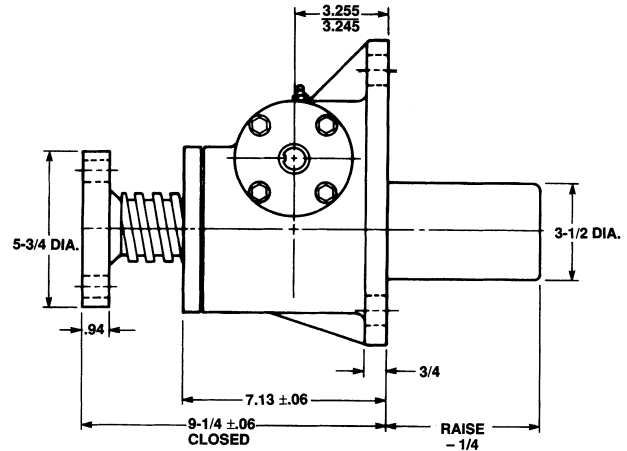
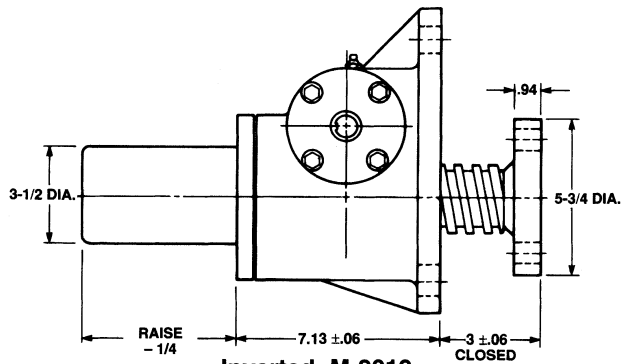


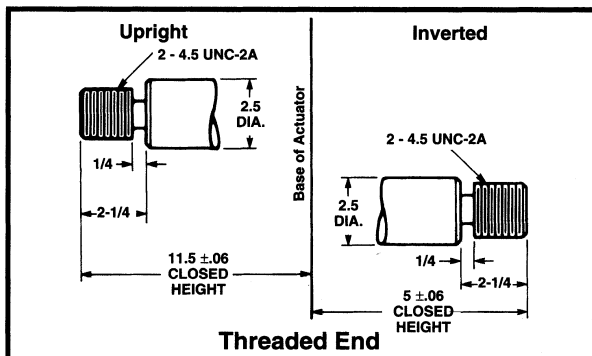
2 1/2" Diameter x .500 Lead Lifting Screws



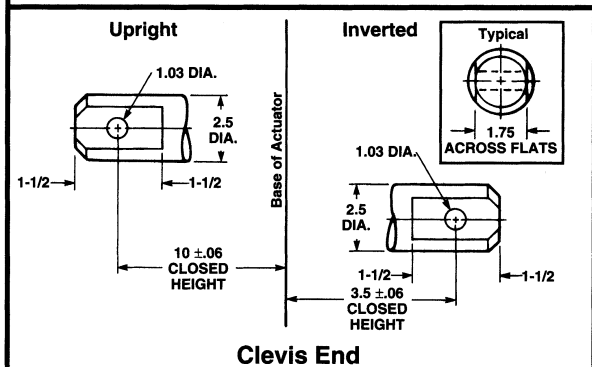
Upright: M-9020



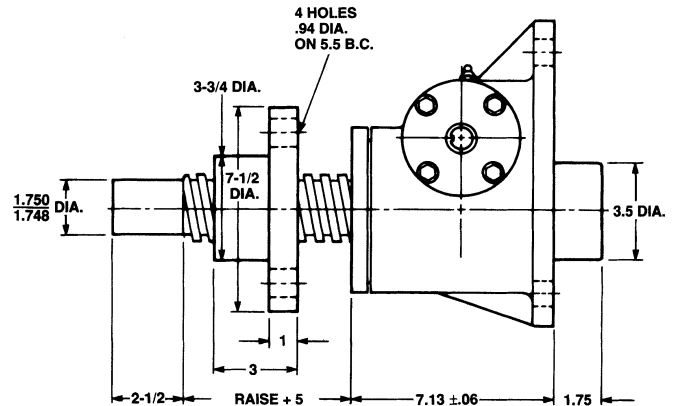
Inverted: M-9019



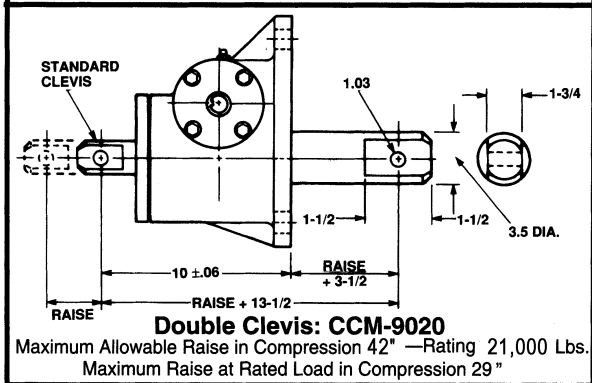
Threaded End



Clevis End

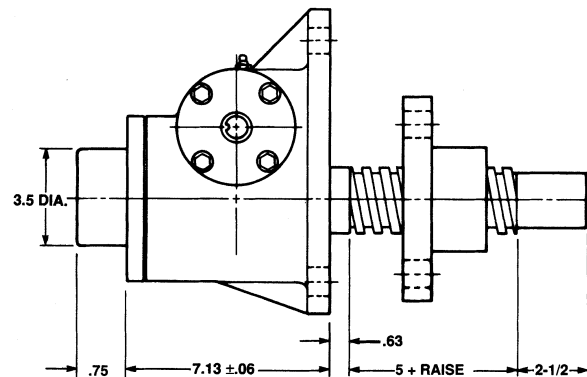


Upright Rotating: AUM-9021



Double Clevis: CCM-9020

Maximum Allowable Raise in Compression 42" —Rating 21,000 Lbs.
Maximum Raise at Rated Load in Compression 29"



Inverted Rotating: ADM-9021

Note: Lifting screw is not keyed. Top should be secured to a lifting member to prevent rotation. When a Bellows Boot is required, see pages 143-144. Dimensions are subject to change without notice.