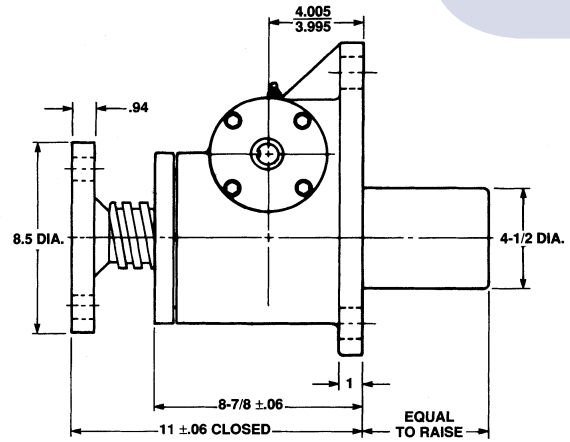
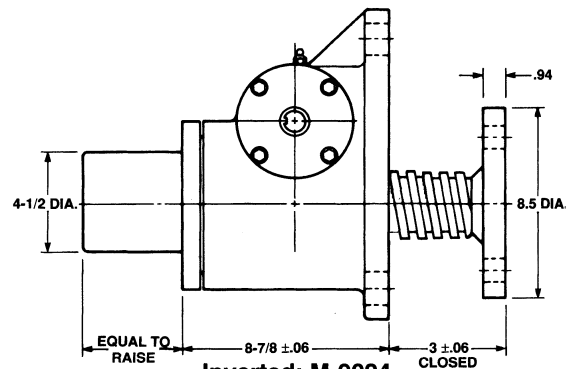


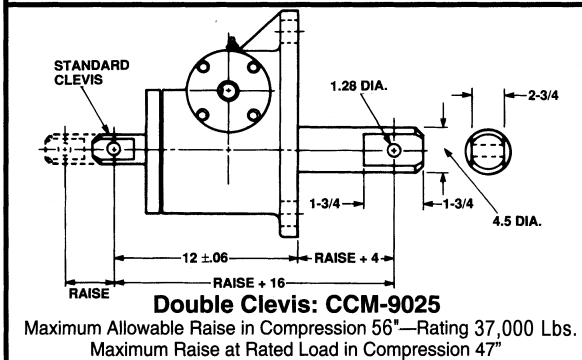
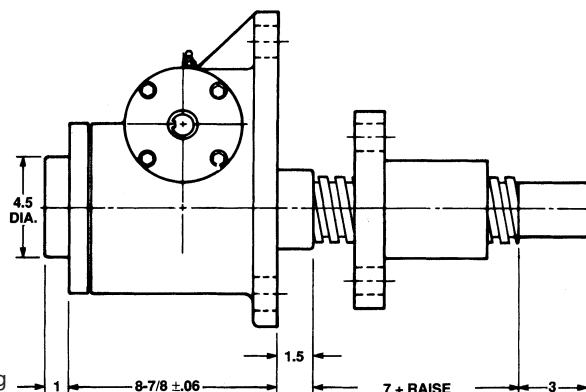
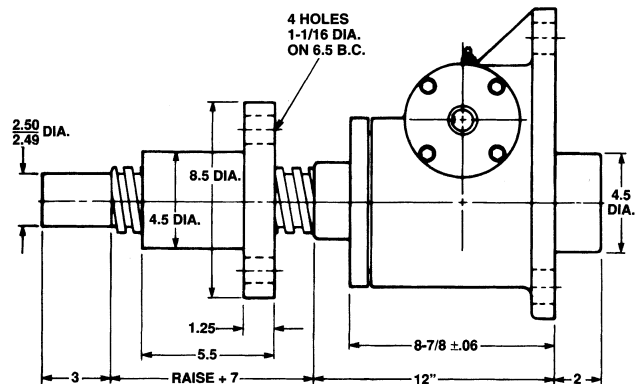
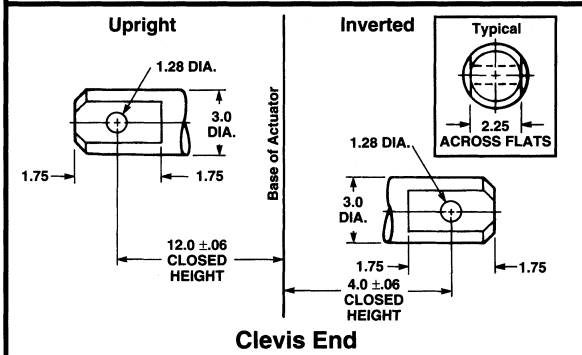
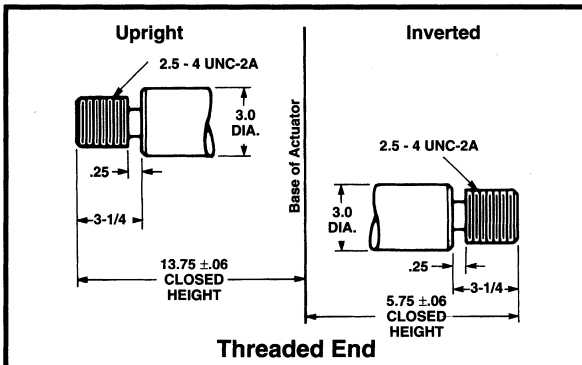
3" Diameter x .666 Lead Lifting Screws



Upright: M-9025



Inverted: M-9024



Note: Lifting screw is not keyed. Top should be secured to a lifting member to prevent rotation. When a Bellows Boot is required, see pages 143-144. Dimensions are subject to change without notice.