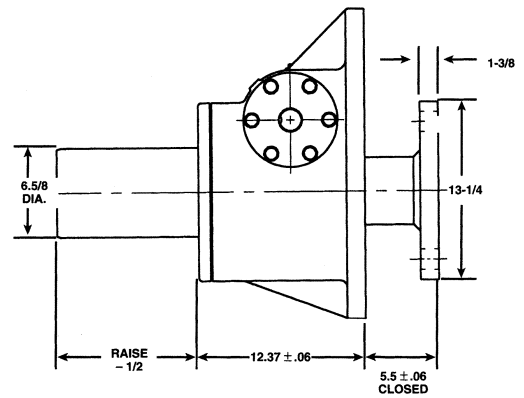
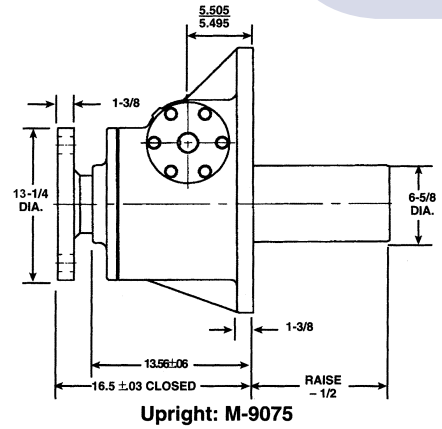
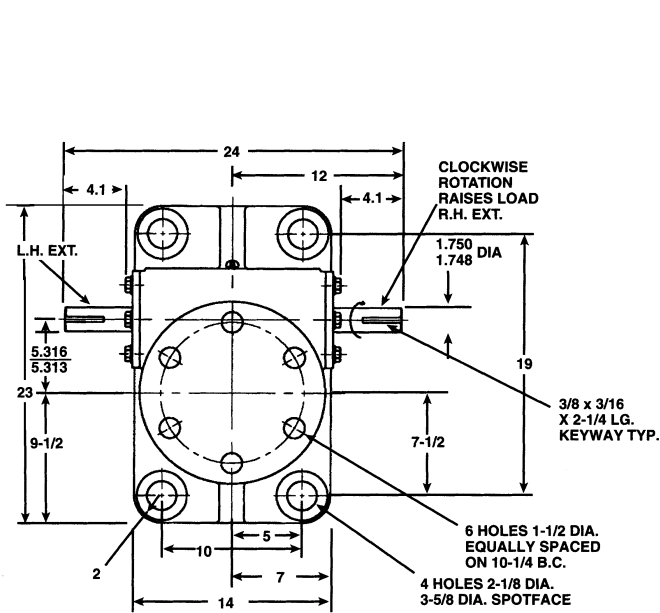
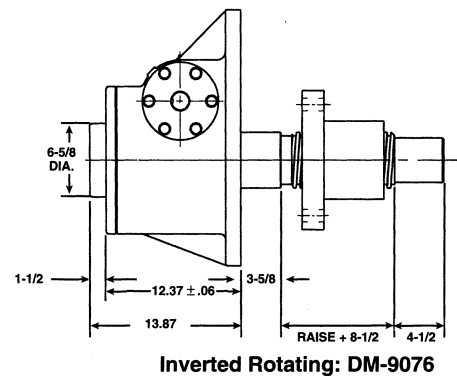
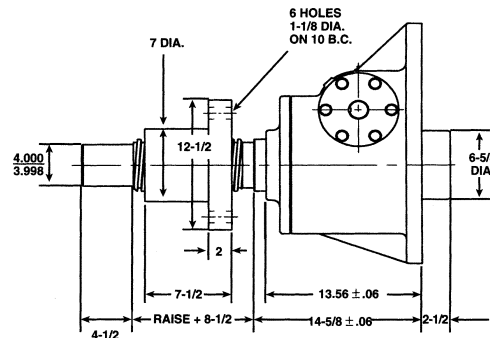
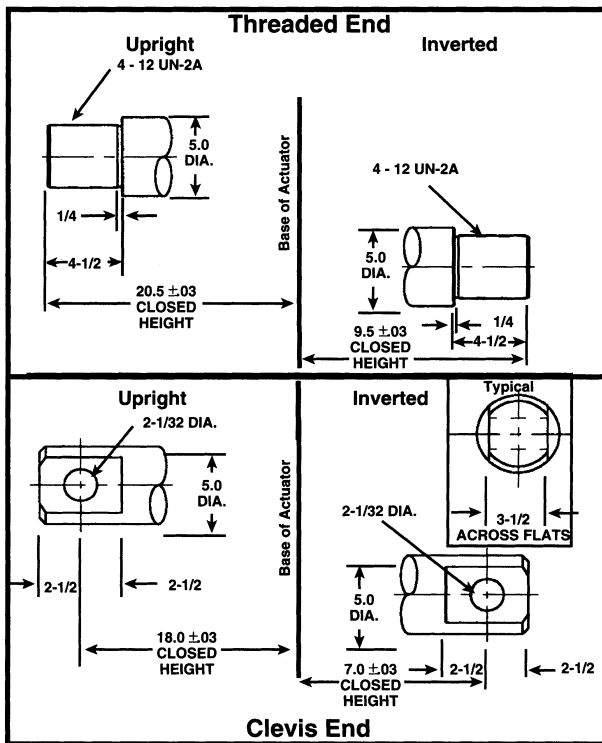


75 Ton Capacity

Machine Screw Actuators



5" Diameter x .666 Lead Lifting Screws



Note: Lifting screw is not keyed. Top should be secured to a lifting member to prevent rotation. When a Bellows Boot is required, see pages 143-144. Dimensions are subject to change without notice.