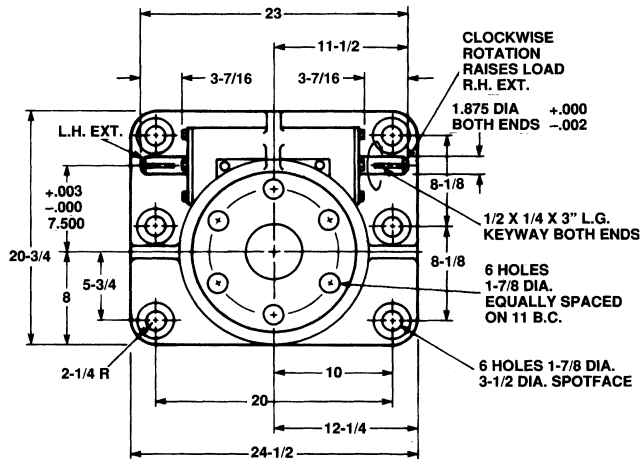
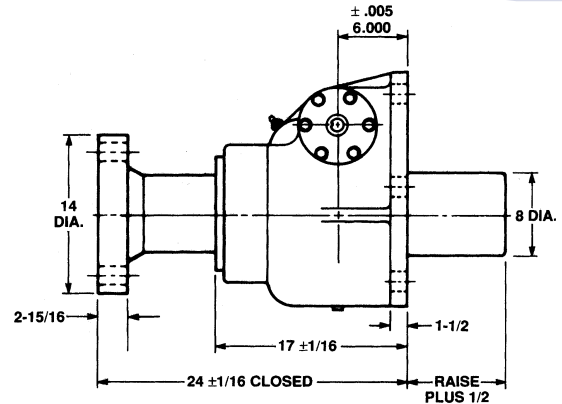


150 Ton Capacity

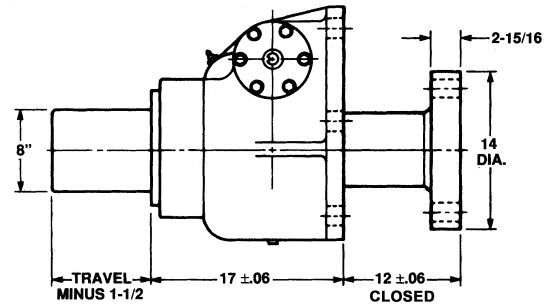
Machine Screw Actuators



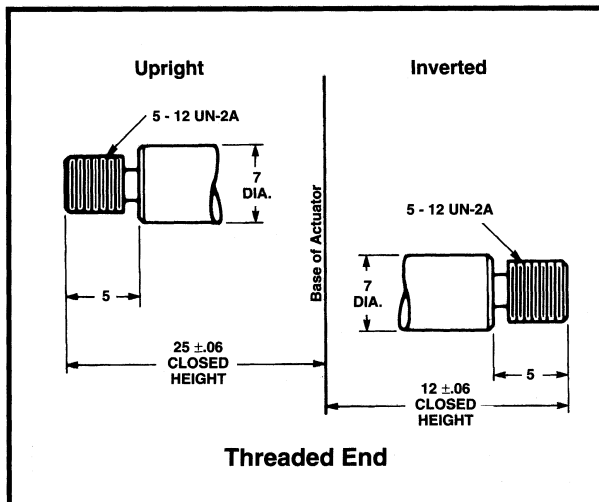
7" Diameter x 1" Lead Lifting Screws



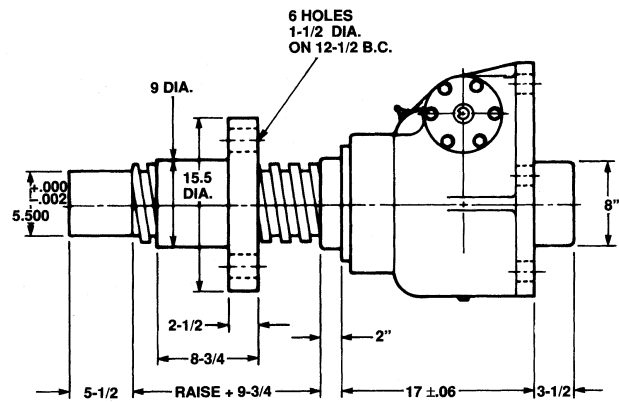
Upright: M-18150



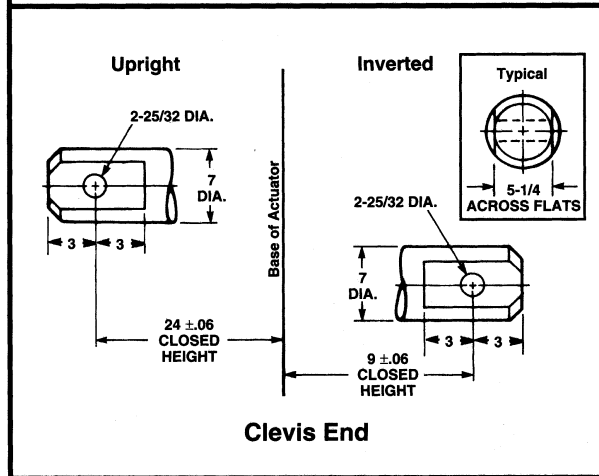
Inverted: M-18149



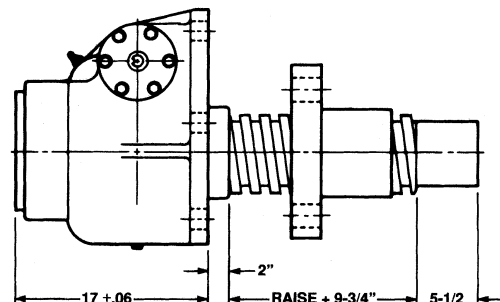
Threaded End



Upright Rotating: UM-18151



Clevis End



Inverted Rotating: DM-18151

Note: Lifting screw is not keyed. Top should be secured to a lifting member to prevent rotation. When a Bellows Boot is required, see pages 143-144. Dimensions are subject to change without notice.