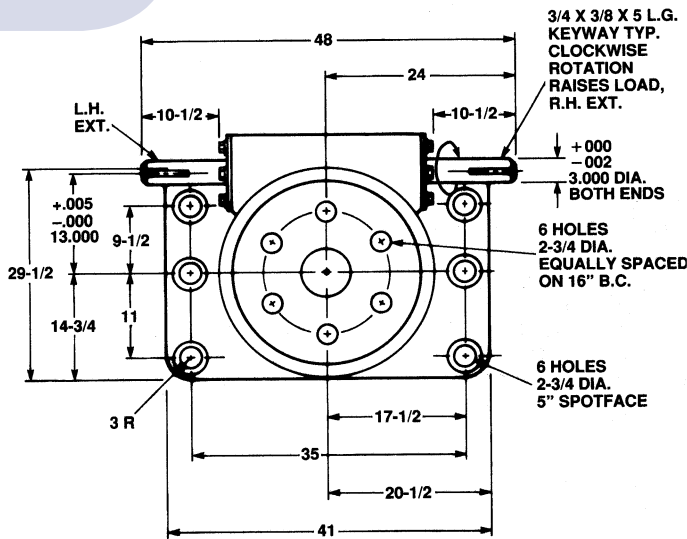
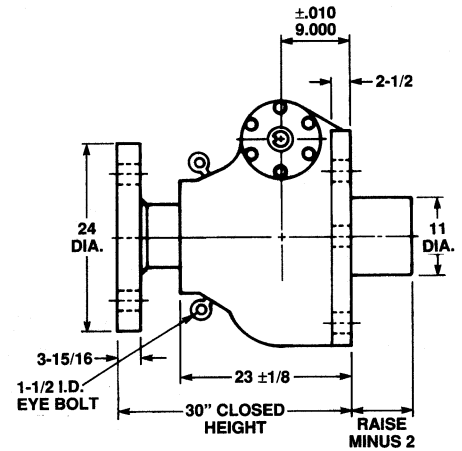


Machine Screw Actuators

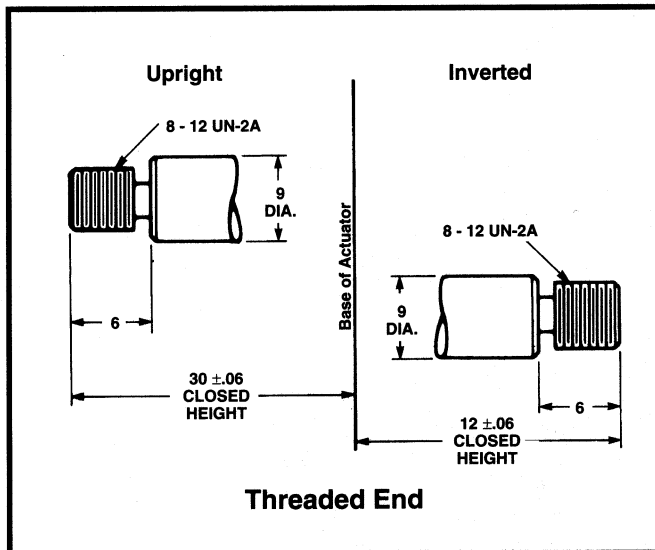
250 Ton Capacity



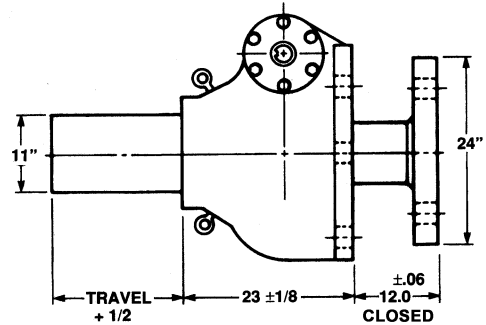
9" Diameter x 1" Lead Lifting Screws



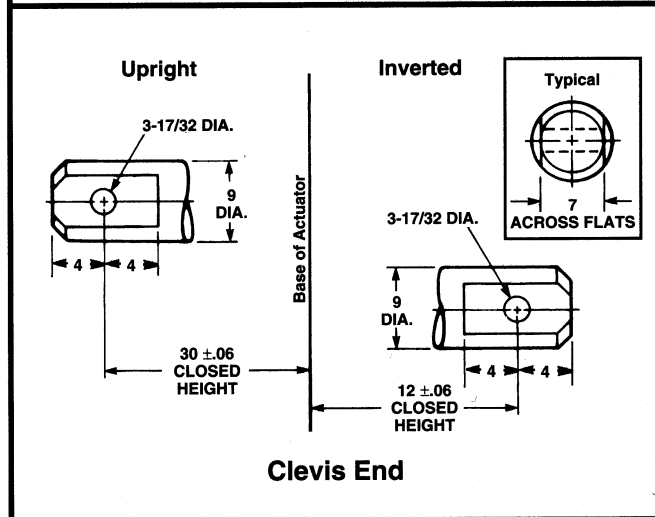
Upright: M-2250



Threaded End



Inverted: M-2249



Clevis End

Note: Lifting screw is not keyed. Top should be secured to a lifting member to prevent rotation. When a Bellows Boot is required, see pages 143-144. Dimensions are subject to change without notice.