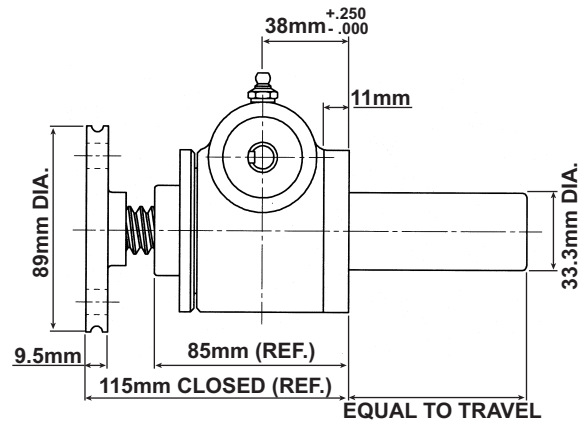
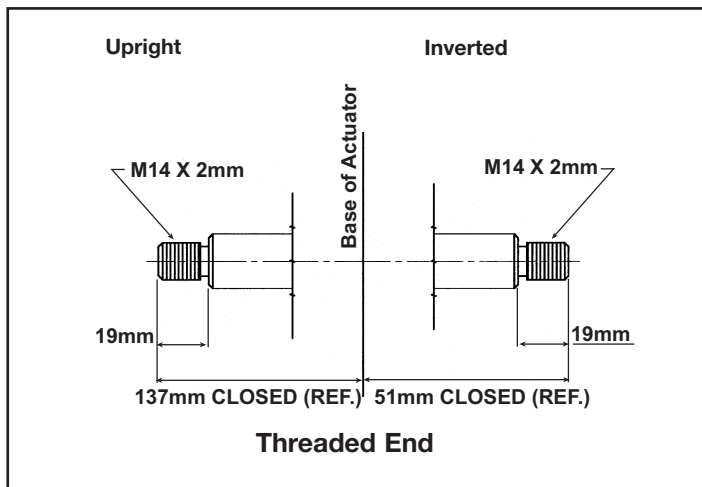


Top View: MET-2501

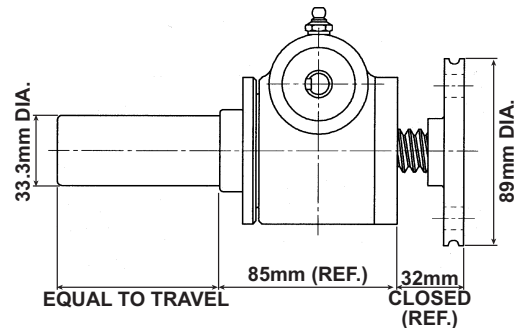
20mm O.D. 5mm Lead Lifting Screws



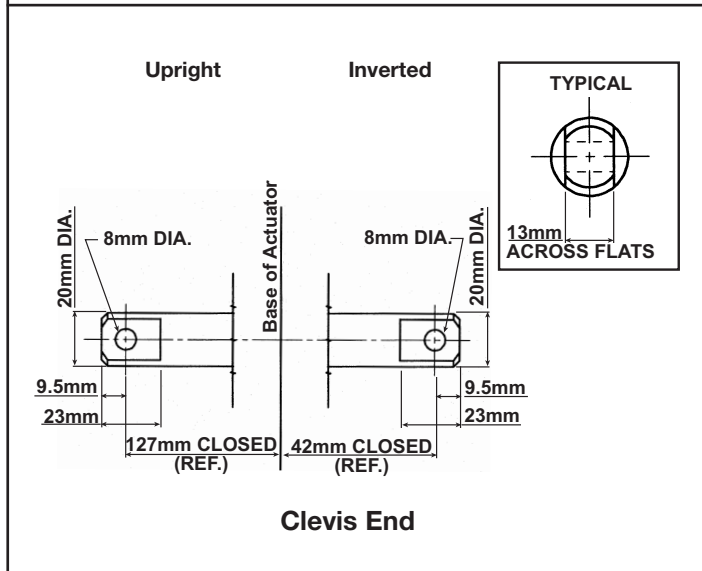
Upright: MET-2501



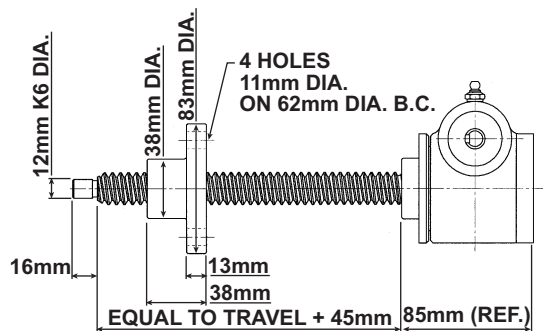
Threaded End



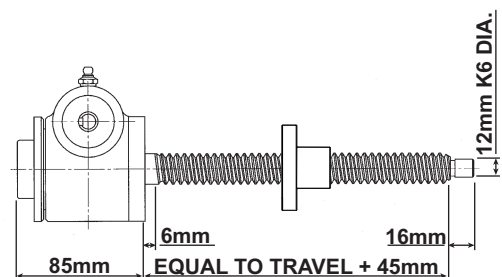
Inverted: MET-2500



Clevis End



Upright Rotating: MET-UM-2502



Inverted Rotating: MET-DM-2502