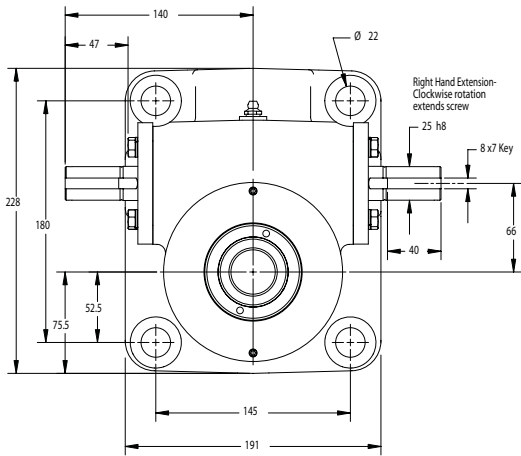


100kN Capacity

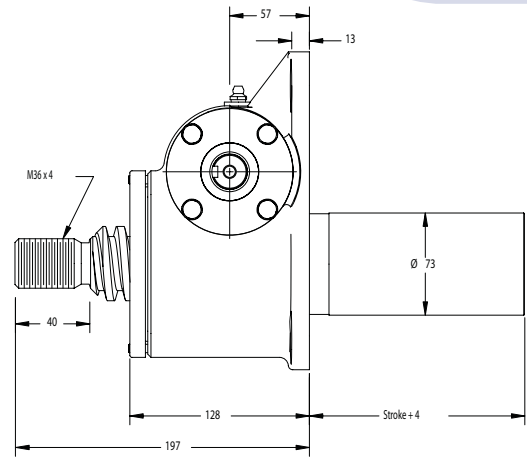
Metric Machine Screw Actuators

NEW

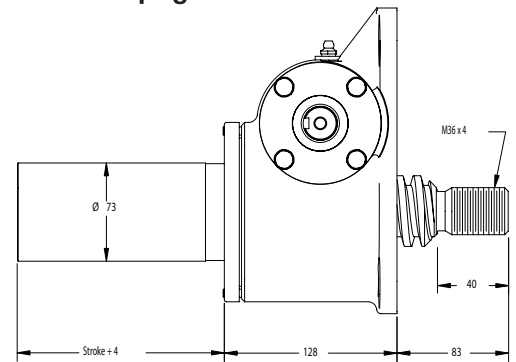


Top View: G9010

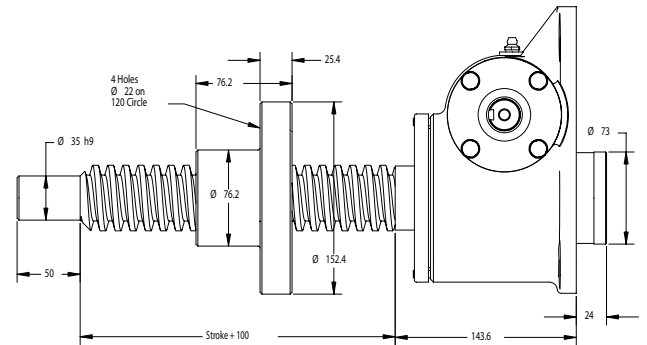
52mm O.D. x 12mm Lead Lifting Screws



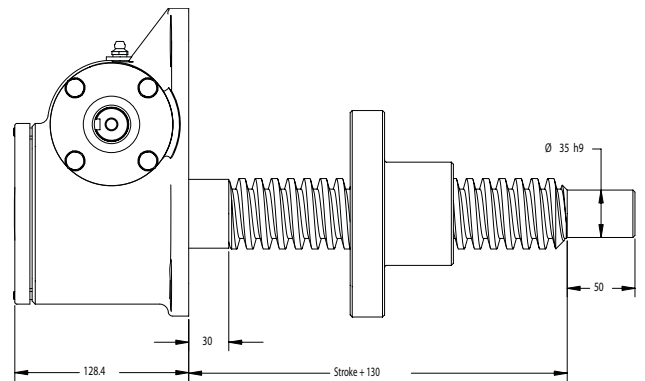
Upright: G9010



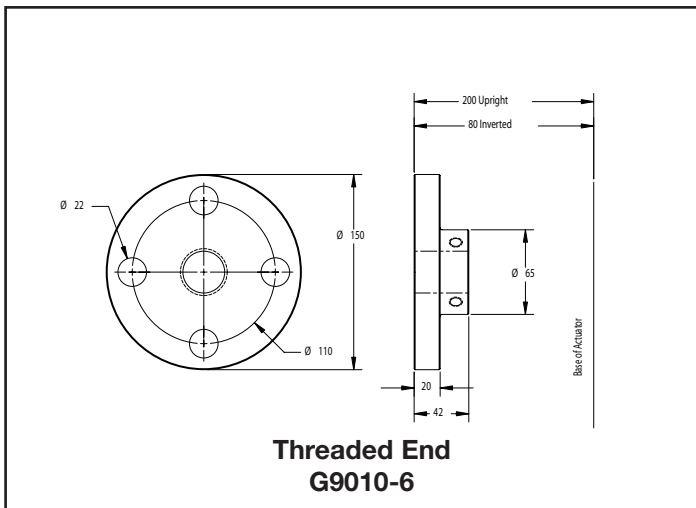
Inverted: G9009



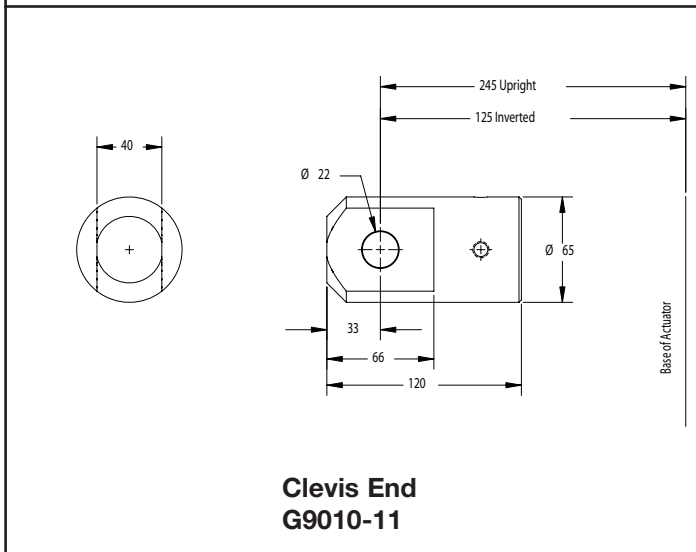
Upright Rotating: GU9011



Inverted Rotating: GD9011



**Threaded End
G9010-6**



**Clevis End
G9010-11**