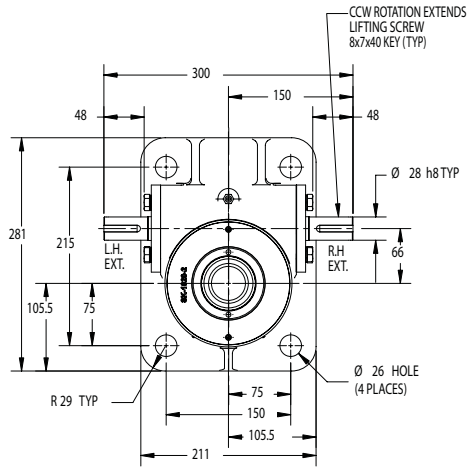


200kN Capacity

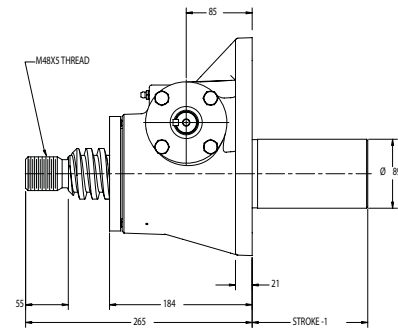
Metric Machine Screw Actuators

NEW

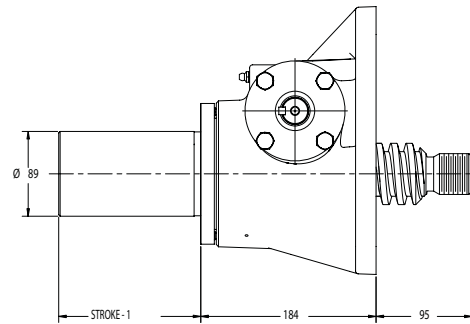


Top View: G9020

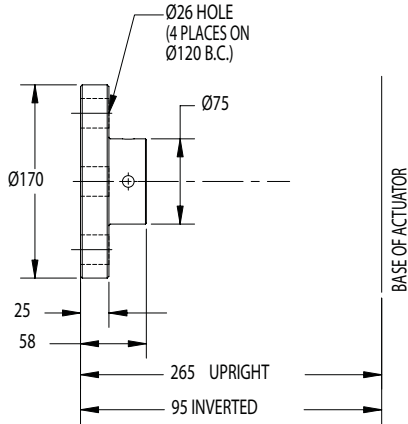
65mm O.D. x 12mm Lead Lifting Screws



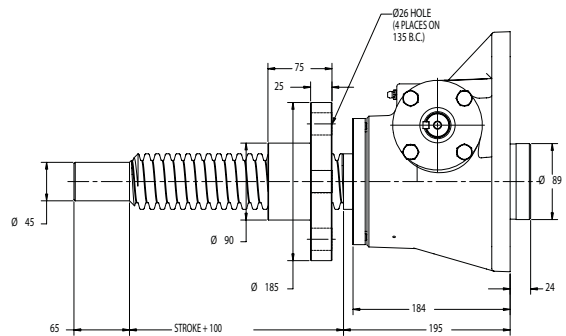
Upright: G9020



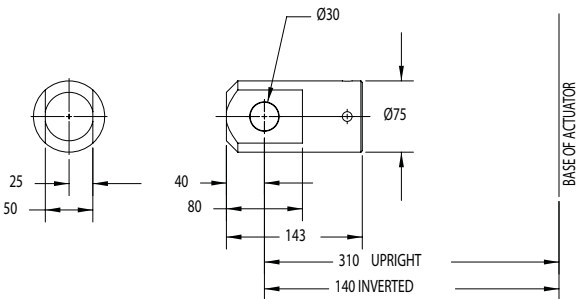
Inverted: G9019



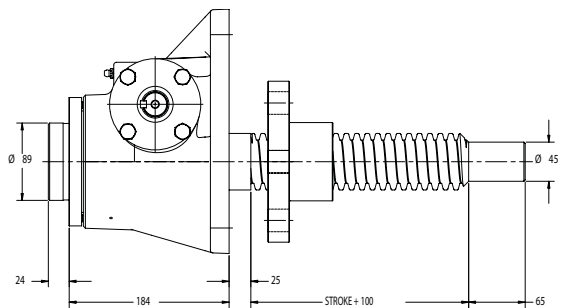
Top Plate G9020-6



Upright Rotating: GU9021



Clevis End G9020-11



Inverted Rotating: GD9021